

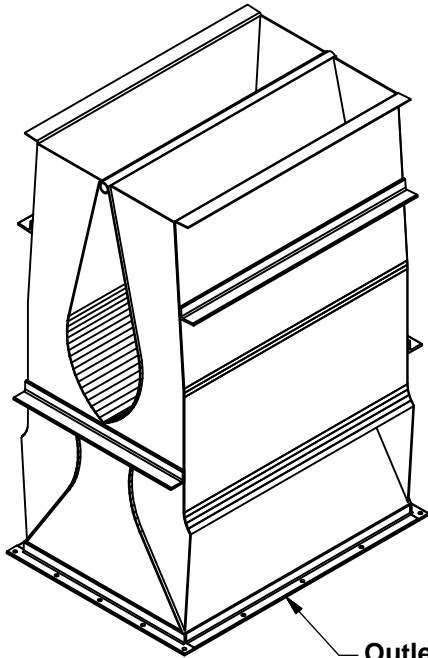


COOK

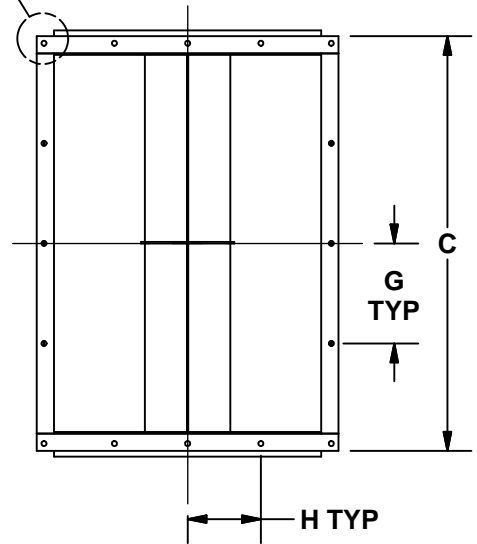
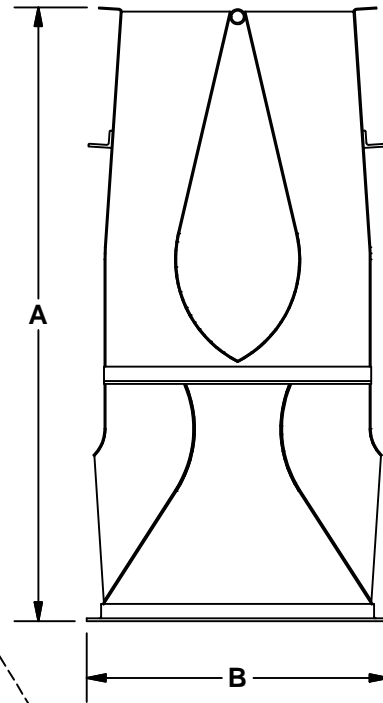
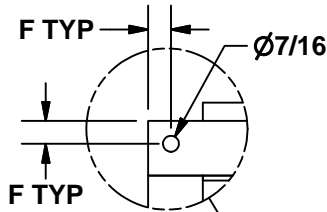
VPS Nozzle

DATE: _____
 PROJECT: _____
 LOCATION: _____

Vari-Plume® Rectangular Induction Nozzle
Steel Construction
Sizes 100 thru 730



Outlet Flange



DIMENSION DATA

Size	A	B	C	F	G	H	Weight
100	17 5/8	10 3/4	14 1/16	11/16	-	-	25
120	21 3/16	12 3/8	16 15/16	11/16	-	-	39
135	23 13/16	13 1/2	17 15/16	11/16	-	-	49
150	26 7/16	14 5/8	19 5/8	11/16	-	-	59
165	29 1/8	15 13/16	21 1/4	11/16	-	-	72
180	31 3/4	16 15/16	22 7/8	11/16	-	-	84
195	34 3/8	18 3/16	24 1/2	5/8	-	-	102
210	37 1/16	19 5/16	26 3/16	5/8	6-3/16	-	110
225	39 11/16	20 7/16	27 13/16	5/8	6-5/8	-	172
245	43 3/16	22	30	5/8	7-3/16	-	211
270	47 5/8	23 7/8	32 3/4	5/8	7-7/8	-	251
300	52 15/16	26 3/16	36	5/8	8-11/16	6-3/16	322
330	58 3/16	29 1/2	40 5/16	7/8	9-1/2	6-3/4	488
365	64 3/8	32 1/8	44 3/16	7/8	10-7/16	7-7/16	585
402	70 15/16	35	48 5/16	7/8	11-1/2	8-1/8	759
445	78 1/2	38 1/4	52 15/16	7/8	12-5/8	8-15/16	817
490	86 7/16	41 11/16	57 7/8	7/8	13-7/8	9-13/16	1004
540	95 1/4	45 1/2	63 5/16	7/8	10-1/4	10-13/16	1406
600	105 13/16	50 1/16	70	7/8	11-3/8	12-1/8	2436
660	116 7/16	54 11/16	76 9/16	7/8	12-1/2	13-5/16	3056
730	128 3/4	60	84 1/4	7/8	10-15/16	14-5/8	3727

ALL DIMENSIONS IN INCHES. WEIGHTS IN LBS.

X1233R01