



# COOK

# Grease Terminator 2

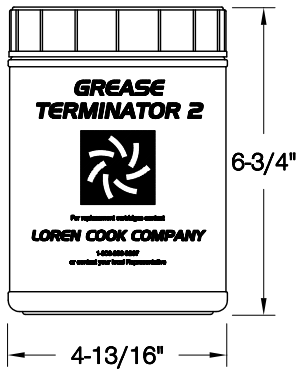
DATE: \_\_\_\_\_

PROJECT: \_\_\_\_\_

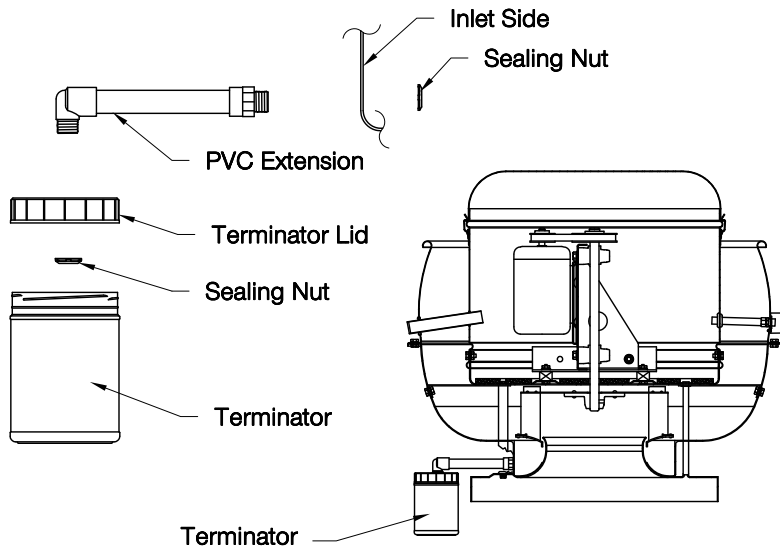
LOCATION: \_\_\_\_\_

Assembly and Installation

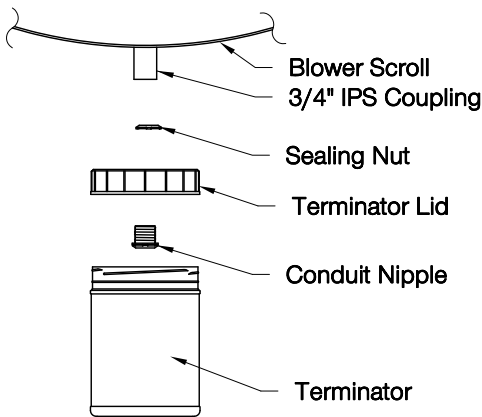
VCR CP Lo-Pro



### VCR Installation



### CP Installation



### Lo-Pro Installation

