

DATE: _____

PROJECT: _____

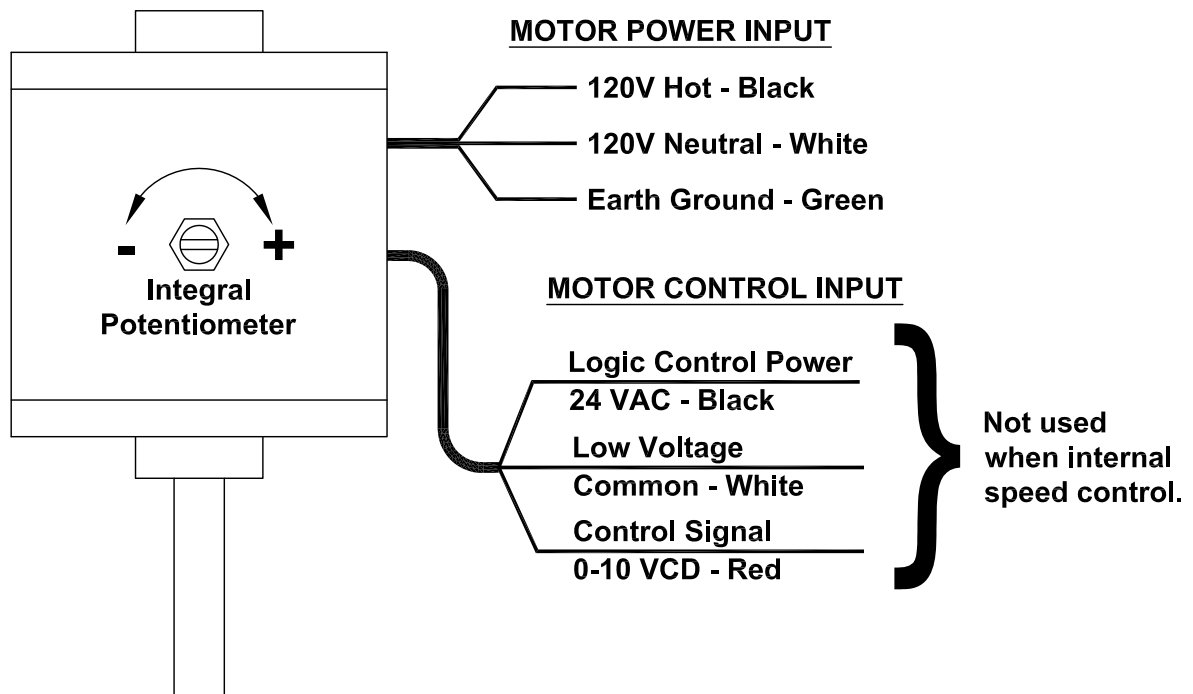
LOCATION: _____

Accessory Data Sheet

Internal Speed Control

Electronically Commutated (EC) Motor

Type M



STANDARD CONSTRUCTION FEATURES:

EC Motors are available in 1/4, 1/2, and 3/4 HP for 120V - Single phase applications have a adjustable speed range of 500 to 1725 - Integral potentiometer for adjusting motor speed - Slotted adjustment bolt for screwdriver adjusting of speed.