



COOK

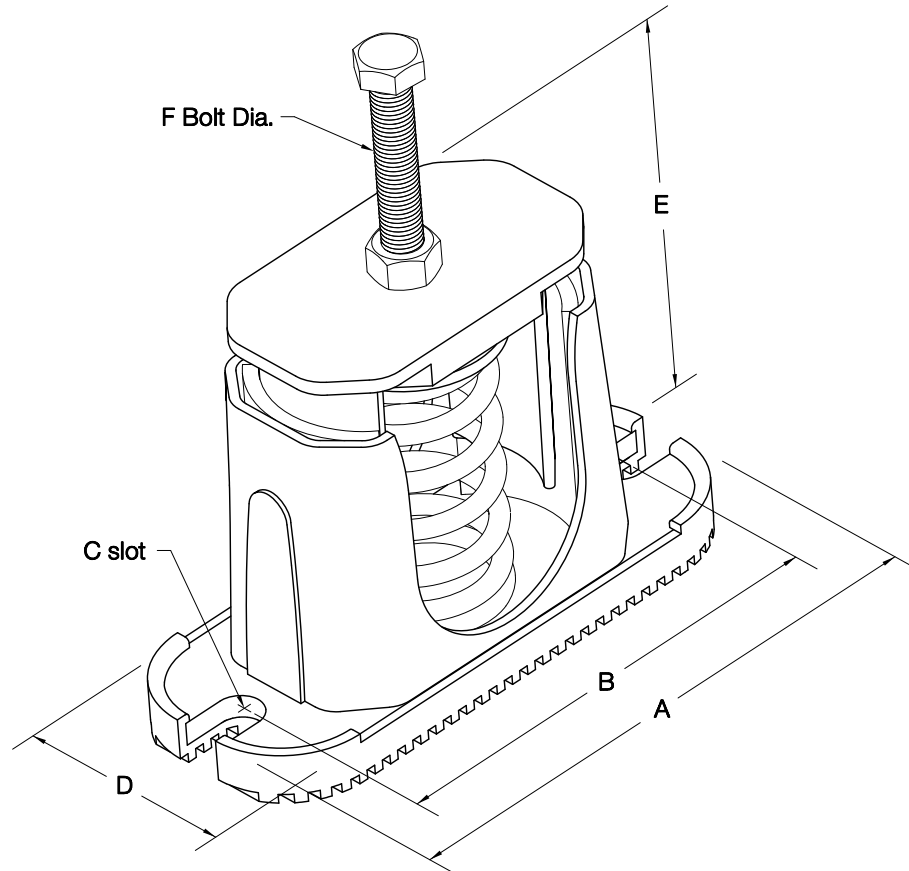
Spring Floor

DATE: _____

PROJECT: _____

LOCATION: _____

Housed Spring
Isolator
Floor Mounted



DIMENSION DATA

L.C. Model	Manuf	Manuf Model	Rated Deflect	Rated Load	Spr.Rate (lbs/in)	A Length	B Centerline	C Slot/Hole	D Width	E Op.Height	F Bolt	Ship Wt.
HF-120	KNC	SL-120A	1.18	120	98	6-1/8	5-5/8	5/16	2-1/8	3-1/2	3/8	2
HF-220	KNC	SL-220A	1.07	220	196	6-1/8	5-5/8	5/16	2-1/8	3-1/2	3/8	2
HF-320	KNC	SL-320A	1	320	302	6-1/8	5-5/8	5/16	2-1/8	3-1/2	3/8	2
HF-370	KNC	SL-370A	1	370	366	6-1/8	5-5/8	5/16	2-1/8	3-1/2	3/8	2
HF-500	KNC	SL-500A	1	500	500	6-1/8	5-5/8	5/16	2-1/8	3-1/2	3/8	2
HF-700	KNC	SL-700A	1	700	700	6-1/8	5-5/8	5/16	2-1/8	3-1/2	3/8	2
HF-800	KNC	SL-800C	1.34	800	588	9	8	7/16	3-1/2	5	5/8	12
HF-1000	KNC	SL-1000C	1.15	1000	826	9	8	7/16	3-1/2	5	5/8	12
HF-1250	KNC	SL-1250C	1.09	1250	1096	9	8	7/16	3-1/2	5	5/8	12
HF-1700	KNC	SL-1700C	1	1700	1700	9	8	7/16	3-1/2	5	5/8	12
HF-2200	KNC	*SL-2200C	1	2200	2200	9	8	7/16	3-1/2	5	5/8	13
HF-3500	KNC	*SL-3500C	1	3500	3500	9	8	7/16	3-1/2	5	5/8	13

ALL DIMENSIONS IN INCHES. WEIGHTS IN LBS.

ALL ISOLATORS LISTED ARE DESIGNED TO PROVIDE A MINIMUM OF 50% OVERLOAD CAPACITY, EXCEPT THOSE MARKED BY (*) WHICH HAVE 30% OVERLOAD CAPACITY.

X0903R07