



COOK Outlet Companion Flange

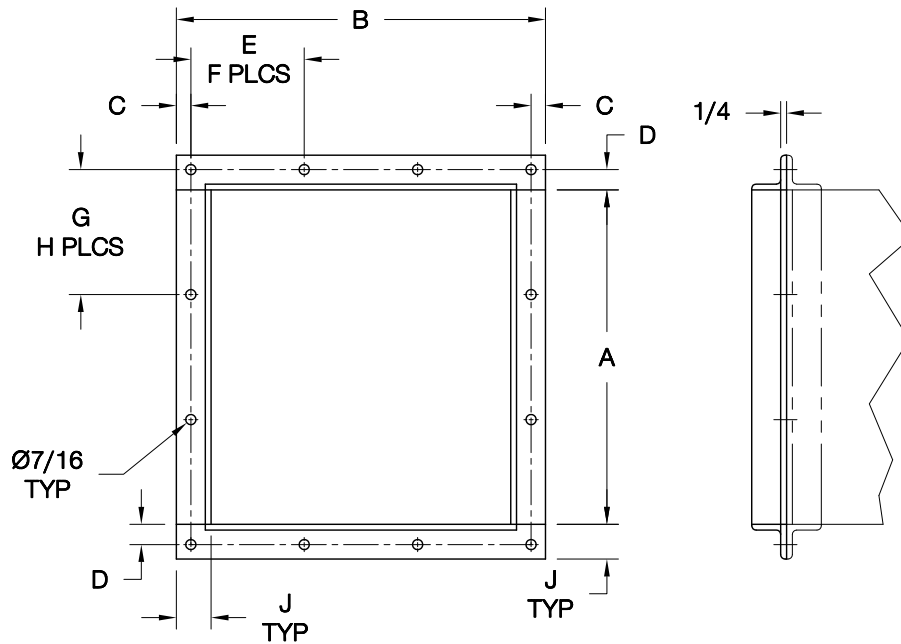
DATE: _____

Accessory Data Sheet

PROJECT: _____

IMH

LOCATION: _____



DIMENSION DATA

Size	A	B	C	D	E	F	G	H	J
70	6-7/8	9-1/8	5/8	7/8	-	-	-	-	1-1/2
90	8-11/16	10-3/4	5/8	7/8	4-3/4	1	5-1/4	1	1-1/2
110	10-5/8	12-3/8	5/8	7/8	5-9/16	1	6-3/16	1	1-1/2
130	12-9/16	14-1/4	5/8	7/8	6-1/2	1	7-3/16	1	1-1/2
150	14-7/16	16-15/16	7/8	1-1/8	7-5/8	1	5-9/16	2	2
170	16-3/8	18-5/8	7/8	1-1/8	5-5/8	2	6-3/16	2	2
190	18-3/16	20-1/4	7/8	1-1/8	6-3/16	2	6-13/16	2	2
210	20-1/8	21-15/16	7/8	1-1/8	6-3/4	2	7-7/16	2	2
230	22-1/8	23-3/4	7/8	1-1/8	7-5/16	2	8-1/8	2	2
260	24-15/16	26-1/4	7/8	1-1/8	6-1/8	3	6-13/16	3	2
290	27-13/16	28-3/4	7/8	1-1/8	6-3/4	3	7-1/2	3	2

ALL DIMENSIONS IN INCHES. WEIGHTS IN LBS.