

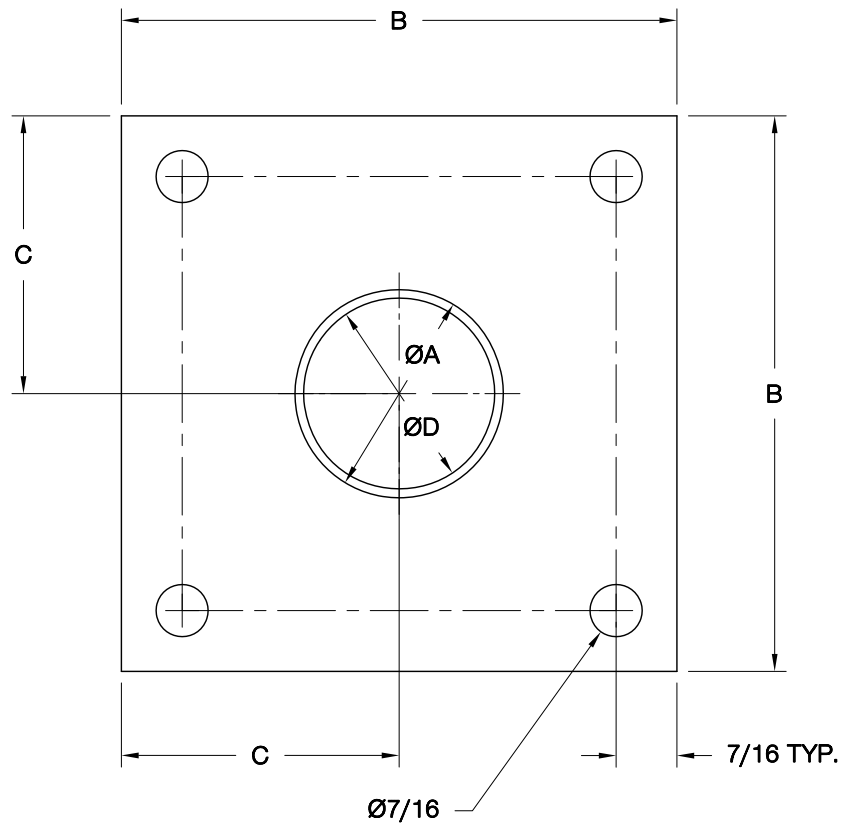
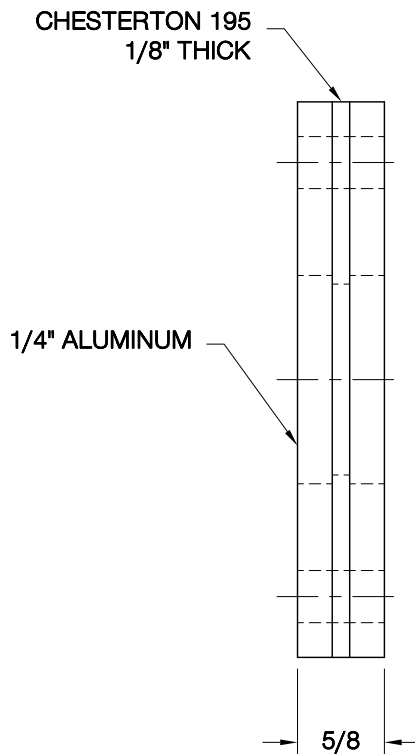


DATE: _____

Accessory Data Sheet

PROJECT: _____

LOCATION: _____



DIMENSION DATA

Shaft Size	A	B	C	D
3/4	15/16	3-1/4	1-5/8	.749
1	1-3/16	3-1/4	1-5/8	.999
1-3/16	1-3/8	3-1/4	1-5/8	1.187
1-7/16	1-5/8	3-1/4	1-5/8	1.437
1-11/16	1-7/8	5	2-1/2	1.686
1-15/16	2-1/8	5	2-1/2	1.936
2-3/16	2-3/8	5	2-1/2	2.186
2-7/16	2-5/8	5	2-1/2	2.436
2-11/16	2-7/8	5	2-1/2	2.686
2-15/16	3-1/8	5	2-1/2	2.936
3-7/16	3-5/8	5	2-1/2	3.435
3-15/16	4-1/8	7	3-1/2	3.935
4-7/16	4-5/8	7	3-1/2	4.433

ALL DIMENSIONS IN INCHES.

Note:

1. Install on inside of housing.
2. For CP fans, bolts must extend thru ped. rear.