



COOK

Rub Ring

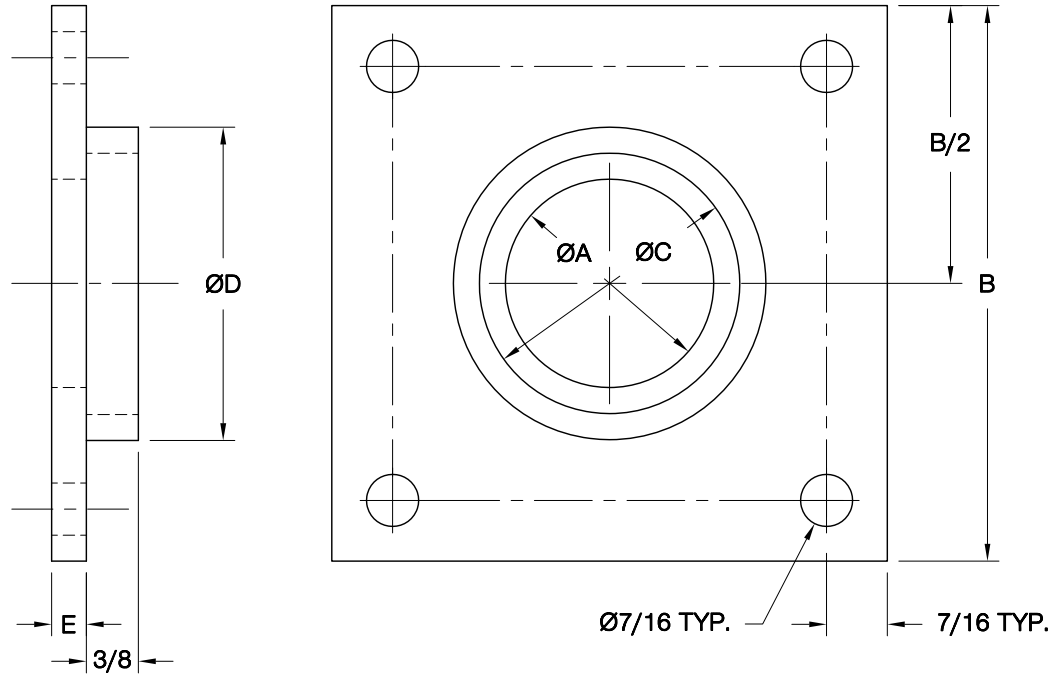
DATE: _____

Accessory Data Sheet

PROJECT: _____

CA,CF,CPFB,CPFD,CPV,CPS,CPA,CIC

LOCATION: _____



DIMENSION DATA

Shaft Size	A	B	C	D	E
3/4	15/16	3-1/4	2-1/8	2-1/2	1/4
1	1-3/16	3-1/4	2-1/8	2-1/2	1/4
1-3/16	1-3/8	3-1/4	2-1/8	2-1/2	1/4
1-7/16	1-5/8	3-1/4	2-1/8	2-1/2	1/4
1-11/16	1-7/8	5	2-1/8	2-1/2	1/4
1-15/16	2-1/8	5	2-1/8	2-1/2	1/4
2-3/16	2-3/8	5	4	4-1/2	1/4
2-7/16	2-5/8	5	4	4-1/2	1/4
2-11/16	2-7/8	5	4	4-1/2	1/4
2-15/16	3-1/8	5	4	4-1/2	1/4
3-7/16	3-5/8	5	4	4-1/2	1/4
3-15/16	4-1/8	7	5	6	3/8
4-7/16	4-5/8	7	5	6	3/8

Note:

1. Mount using 3/8-16 UNC Hex. Head bolt & Wizzlock nut.
2. Install with ring towards wheel.

ALL DIMENSIONS IN INCHES. WEIGHTS IN LBS.