



COOK

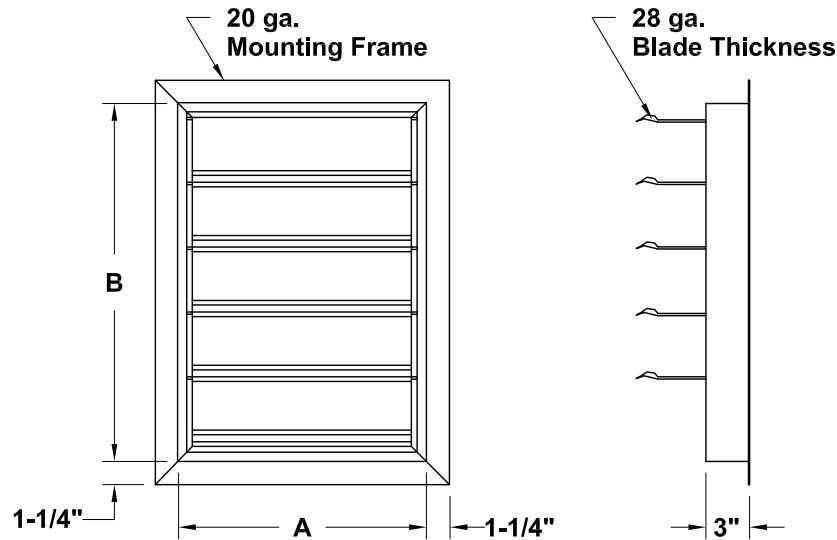
Discharge Shutter

DATE: _____

PROJECT: _____

LOCATION: _____

Accessory Data Sheet
Galvanized Construction
IMH



STANDARD CONSTRUCTION FEATURES:

Galvanized steel blades and frame - Stainless steel pivots - Vinyl blade edge seals.

DIMENSION DATA

Size	Shutter Model Number	A	B	Ship Wt.
70	ADSG-70MH	6	6-5/8	5
90	ADSG-90MH	7-1/2	8-7/16	5
110	ADSG-110MH	9-1/8	10-3/8	6
130	ADSG-130MH	10-7/8	12-3/16	7
150	ADSG-150MH	12-9/16	14-1/16	8
170	ADSG-170MH	14-1/4	16	10
190	ADSG-190MH	15-7/8	17-13/16	11
210	ADSG-210MH	17-9/16	19-3/4	12
230	ADSG-230MH	19-1/4	21-5/8	14
260	ADSG-260MH	21-3/4	24-7/16	16
290	ADSG-290MH	24-1/4	27-5/16	18

ALL DIMENSIONS IN INCHES. WEIGHTS IN LBS.

NOTES: FOR CLEAN AIR APPLICATIONS ONLY.

MAXIMUM VELOCITY 3000 FPM. MOTOR OPERATED DAMPERS REQUIRED FOR VELOCITIES BELOW 600 FPM.

X0253R03