



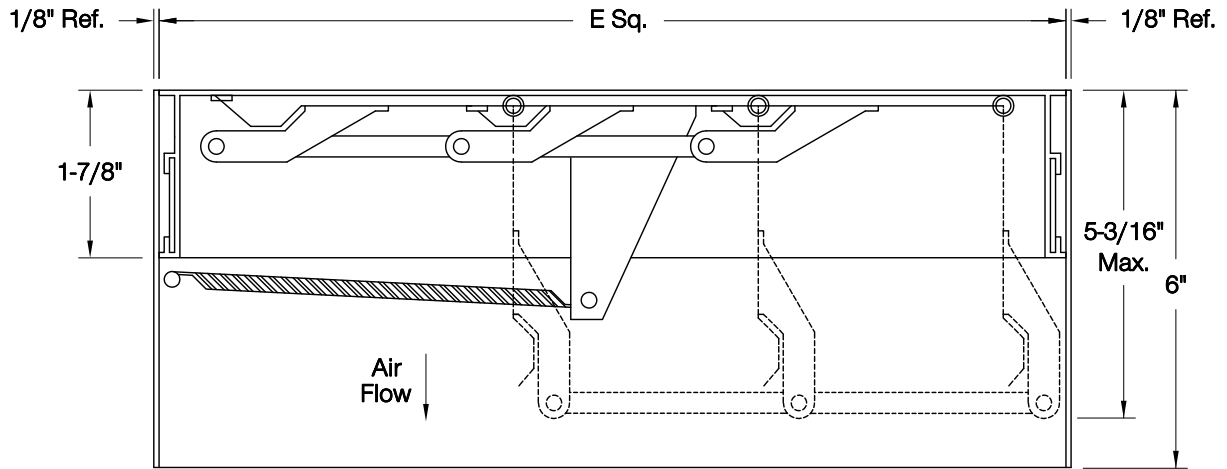
DATE: _____

Intake Backdraft Damper

PROJECT: _____

ASP/ASPT, KSP/KSPD, PR/TR Gravity Units

LOCATION: _____



STANDARD CONSTRUCTION FEATURES:

- .020 aluminum blades – .060 aluminum frame –
- .080 aluminum wrapper – Spring return to close –
- Aluminum hinge pins – Nylon bushings.

DIMENSION DATA

Qty	Mark	KSP/KSPT ASP/ASPT Unit Size	PR/TR Unit Size	Cat. No.	E Sq.	Unit Wt.
		–	8	BDI-12	11-3/4	4
		–	12	BDI-14	13-3/4	5
		9	–	BDI-18	17-3/4	7
		10	16	BDI-22	21-3/4	9
		12,15	20	BDI-26	25-3/4	10
		18	24	BDI-30	29-3/4	12
		–	30	BDI-36	35-3/4	16
		20	36	BDI-42	41-3/4	20
		–	42	BDI-48	47-3/4	24
		–	48	BDI-54	53-3/4	29

ALL DIMENSIONS IN INCHES. WEIGHTS IN LBS.

NOTES:

Max operating temperature 200°F (95°C).