



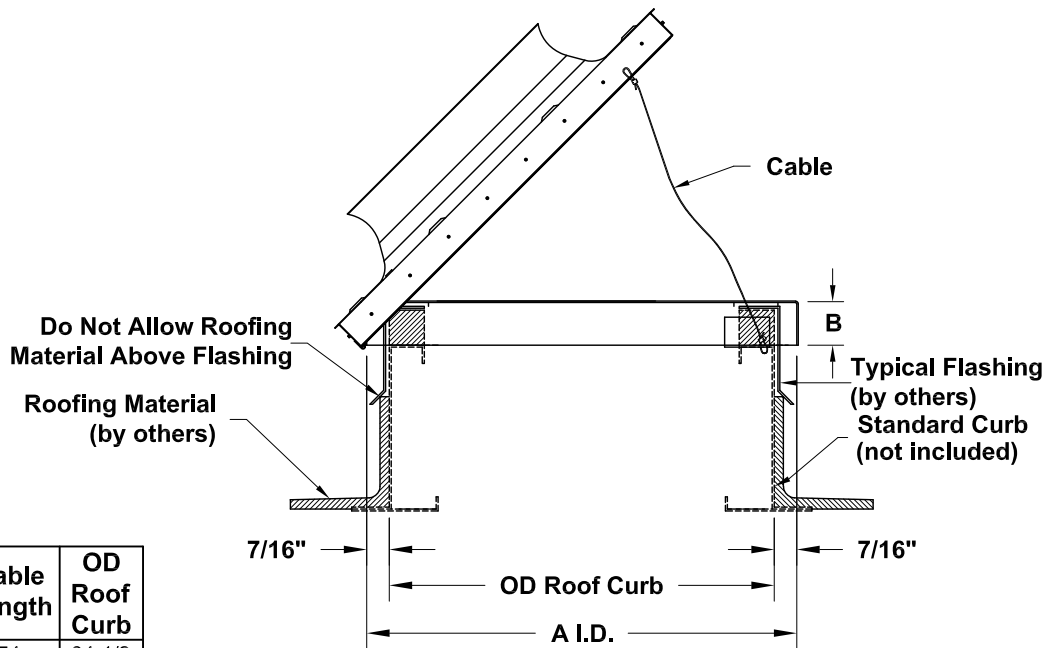
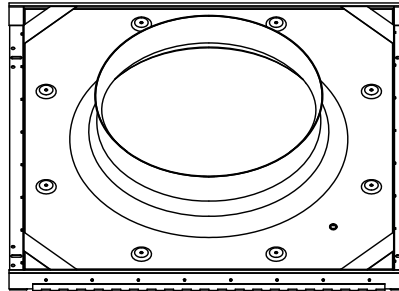
COOK Heavy Duty Hinged Base

DATE: _____

PROJECT: _____

LOCATION: _____

Accessory Data Sheet
Centrifugal Roof Exhausters



DIMENSION DATA

T Sq. Size	A	B	Cable Length	OD Roof Curb
36*	35-3/8	3	54	34-1/2
42*	41-3/8	3	63	40-1/2
48*	47-3/8	3	71	46-1/2

ALL DIMENSIONS IN INCHES. WEIGHT IN LBS.
*Consult factory regarding availability