

DATE: _____
 PROJECT: _____
 LOCATION: _____



**Tube Axial Drum Fan
 Triton Steel Propeller
 Belt Drive**

DIMENSION DATA

Size	A	B	C	D	E	F	Drum Ga.	Ship Wt.
20	20	23-1/2	1-1/2	17-1/8	20	16-1/8	14 ga.	190
24	21	27-1/2	1-1/2	17-1/8	20	16-1/8	12 ga.	230
30	25	33-1/2	1-1/2	22-1/8	22	18-1/8	12 ga.	310
36	30	39-1/2	1-1/2	22-1/8	25	21-1/8	12 ga.	370
42	31	45-3/4	1-5/8	22-1/8	29	21-1/8	10 ga.	480
48	33	52-3/4	2-1/8	22-1/8	31	21-1/8	10 ga.	560
54	38	58-3/4	2-1/8	27	35	24-1/8	10 ga.	750
60	41	64-3/4	2-1/8	27	35	24-1/8	10 ga.	860
72	48	76-3/4	2-1/8	27	35	24-1/8	10 ga.	1120

**** Correct propeller rotation is CCW when viewing from inlet side.**

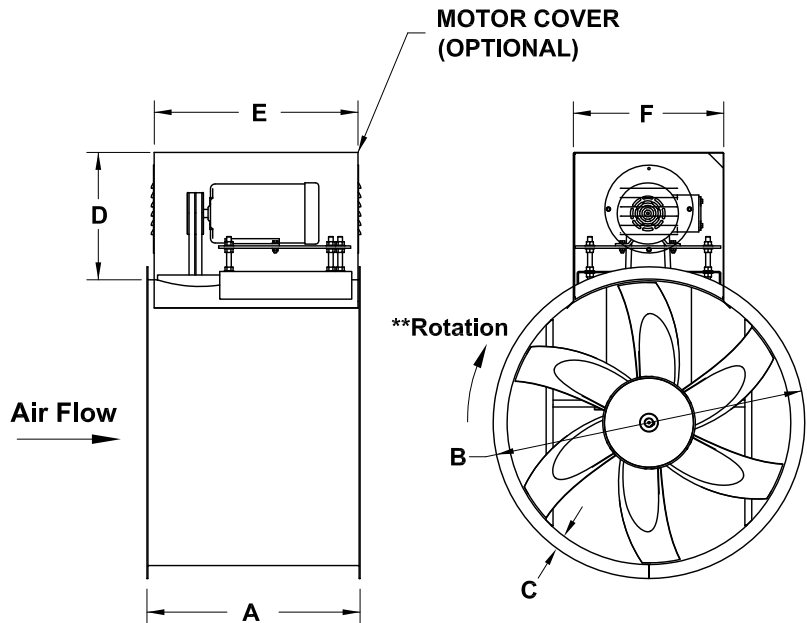
ALL DIMENSIONS IN INCHES. WEIGHTS IN LBS., LESS MOTOR.

STANDARD CONSTRUCTION FEATURES:

Lorenized powder paint finish on all uncoated steel parts - Triton steel propeller - Extended lube lines provided on bearings - Adjustable pitch drives through 5 HP motor - Nema design B ball bearing motor - Static resistant belts - Corrosion resistant fasteners - Regreasable bearings in a cast housing rated at 200,000 hours L50 life - All fans factory adjusted to specified fan RPM.

ACCESSORIES

1. DISCONNECT SWITCH
2. INLET/OUTLET GUARD
3. FLOOR MOUNTING FEET
4. HANGING BRACKETS (V OR H)
5. INLET BELL
6. MOTOR COVER
7. BELT GUARD
8. INLET/OUTLET COMPANION FLANGES
9. HIGH TEMP 200°-300°F
10. HIGH TEMP 301°-500°F
11. UL LISTED FOR SMOKE CONTROL
12. HIGH TEMPERATURE BEARINGS
13. HIGH TEMPERATURE PAINT
14. SPECIAL



QTY	MARK	CATALOG NUMBER	FAN INFORMATION			MOTOR INFORMATION					ACCESSORIES	
			CFM	SP	RPM	HP	VOLTS	HZ	PH	TYPE		

LARGEST MOTOR SHIPPED MOUNTED: ODP (OPEN DRIP-PROOF) 5 HP; 2 SP (2 SPEED) 2 HP; X-PRF (EXPLOSION PROOF) 2 HP; TEFC (TOTALLY ENCLOSED FAN COOLED) 3 HP.