



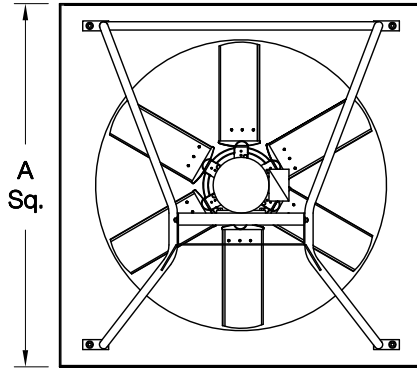
COOK

EWD-Supply

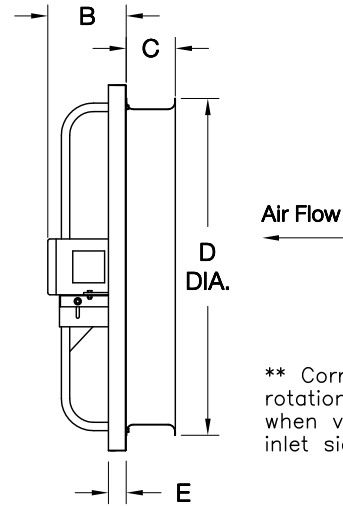
DATE: _____
 PROJECT: _____
 LOCATION: _____



Wall Supply Fan
Extruded Aluminum Propeller
Direct Drive



**Rotation



** Correct propeller rotation is CCW when viewing from inlet side.

DIMENSION DATA

Size	A Sq.	B	C	D DIA.	E	Wall Opening*	Ship Wt.
24	36-3/16	14-5/8	6-5/8	27-3/8	3	36-7/16	192
30	42-3/16	14-5/8	6-3/4	33-3/8	3	42-7/16	219
36	48-3/16	22	7-1/4	39-3/8	3	48-7/16	274
42	54-3/16	24	8-1/16	46-3/8	3	54-7/16	357
48	60-3/16	24	8-1/16	52-3/8	3	60-7/16	411
54	66-3/16	27-3/4	9	58-3/8	3	66-7/16	465

ALL DIMENSIONS IN INCHES. WEIGHTS IN LBS.
 * See wire guard or wall collar submittal for accessory wall opening.

ACCESSORIES

1. GALVANIZED MOTORIZED SUPPLY SHUTTER
2. ALUMINUM MOTORIZED SUPPLY SHUTTER
3. BAKED EPOXY POWDER
4. BAKED PHENOLIC EPOXY POWDER
5. PROP SIDE WIRE GUARD
6. MOTOR SIDE WIRE GUARD
7. WALL COLLAR
8. WEATHER HOOD
9. SHUTTER GUARD
10. DISCONNECT SWITCH

STANDARD CONSTRUCTION FEATURES:

Extruded aluminum propeller – Propeller hub keyed to shaft – Propellers are statically and dynamically balanced – 14 gauge steel venturi – Welded wall base corners – Aluminum supply inlet – Heavy duty steel power assembly – Lorenized powder paint finish – Corrosion resistant fasteners.

QTY	MARK	CATALOG NUMBER	FAN INFORMATION			MOTOR INFORMATION					ACCESSORIES									
			CFM	SP	RPM	HP	VOLTS	HZ	PH	TYPE										

MOTOR TYPE: ODP (OPEN DRIP-PROOF); 2 SP (2 SPEED); X-PRF (EXPLOSION PROOF); TEFC (TOTALLY ENCLOSED FAN COOLED).

WP042R01