



COOK

EPB-Supply

DATE: _____



PROJECT: _____

LOCATION: _____

**Extruded Aluminum Propeller
Wall-Pac Supply Fan
Belt Drive**

DIMENSION DATA

SIZE	A	B*	C	D*	WALL OPENING	WALL HOUSING GAUGE	SHIPPING WEIGHT
24	39-1/2	37	33-1/2	38	37-1/4	18 GA.	297
30	45-1/2	43	39-1/2	39-1/2	43-1/4	18 GA.	367
36	51-1/2	49-1/16	45-1/2	41	49-1/4	16 GA.	453
42	57-1/2	55-1/16	51-1/2	51	55-1/4	16 GA.	564
48	63-1/2	61-1/8	57-1/2	48	61-3/8	14 GA.	698
54	69-1/2	67-1/8	63-1/2	48	67-3/8	14 GA.	782
60	75-1/2	73-1/8	69-1/2	48	73-3/8	14 GA.	880
72	87-1/2	85-1/8	81-1/2	51	85-3/8	14 GA.	1090

ALL DIMENSIONS IN INCHES. SHIP WEIGHTS IN LBS., LESS MOTOR.

* B & D DIMENSIONS ARE TO OUTSIDE OF FASTENERS ON WALL HOUSING.

STANDARD CONSTRUCTION FEATURES:

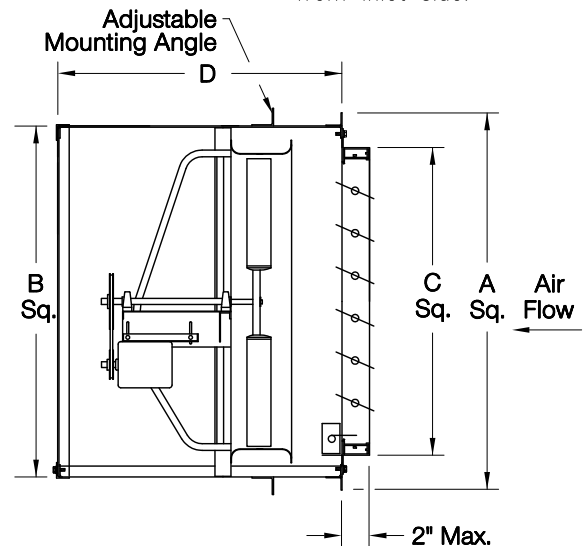
Extruded aluminum propeller – Propeller hub keyed to shaft – Continuously welded wall panel corners – Galvanized steel wall housing – Adjustable mounting angle – Galvanized steel wire guard – Motorized supply shutter – Heavy duty tubular power assembly – Lorenized powder paint finish – Corrosion resistant fasteners – 14 gauge steel venturi – Permanently lubricated ball bearing motor – Regreasable bearings in a cast housing rated at 200,000 hours average life – Adjustable pitch drives through 5 hp motor – Aluminum supply inlet – All fans factory adjusted to specified RPM.

Note: Correct propeller rotation is CCW (size 72 is CW) when viewing from inlet side.

NOTE: Mounting angle is 2 pieces, shipped loose.

ACCESSORIES

1. DISCONNECT SWITCH
2. PREWIRED DISCONNECT SWITCH
3. P.W. DISCONNECT SWITCH WITH FLEX. CONDUIT
4. EPOXY POWDER
5. PHENOLIC EPOXY POWDER
6. PHENOLIC EPOXY WITH UV PROTECTION
7. PRIME COAT
8. SHUTTER GUARD
9. KNOCKDOWN WEATHER HOOD
10. WEATHER HOOD
11. SPECIAL



QTY	MARK	CATALOG NUMBER	FAN INFORMATION			MOTOR INFORMATION					ACCESSORIES						
			CFM	SP	RPM	HP	VOLTS	HZ	PH	TYPE							

LARGEST MOTOR SHIPPED MOUNTED: ODP (OPEN DRIP-PROOF) 5 HP; 2 SP (2 SPEED) 3 HP; X-PRF (EXPLOSION PROOF) 3 HP; TEFC (TOTALLY ENCLOSED FAN COOLED) 5 HP.

WP034R02