



DATE: \_\_\_\_\_

PROJECT: \_\_\_\_\_

LOCATION: \_\_\_\_\_



**Low-Pressure  
Wall-Pac Supply Fan  
Steel Propeller  
Belt Drive**

**DIMENSION DATA**

Size	A	B*	C	D*	Wall Opening	Wall Housing Gauge	Shipping Weight
20	27-1/2	25	22	37-3/8	25-1/4	18 GA.	183
24	33-1/2	31	27-1/2	37-3/8	31-1/4	18 GA.	226
30	39-1/2	37	33-1/2	38	37-1/4	18 GA.	280
36	45-1/2	43	39-1/2	39-1/2	43-1/4	18 GA.	348
42	51-1/2	49-1/16	45-1/2	41	49-1/4	16 GA.	460
48	57-1/2	55-1/16	51-1/2	51	55-1/4	16 GA.	540
54	63-1/2	61-1/8	57-1/2	48	61-1/2	14 GA.	646
60	69-1/2	67-1/8	63-1/2	48	67-1/2	14 GA.	716

Note: Correct propeller rotation is CCW when viewing from inlet side.

ALL DIMENSIONS IN INCHES. WEIGHTS IN LBS., LESS MOTOR.  
\* B & D DIMENSIONS ARE TO OUTSIDE OF FASTENERS ON WALL HOUSING.

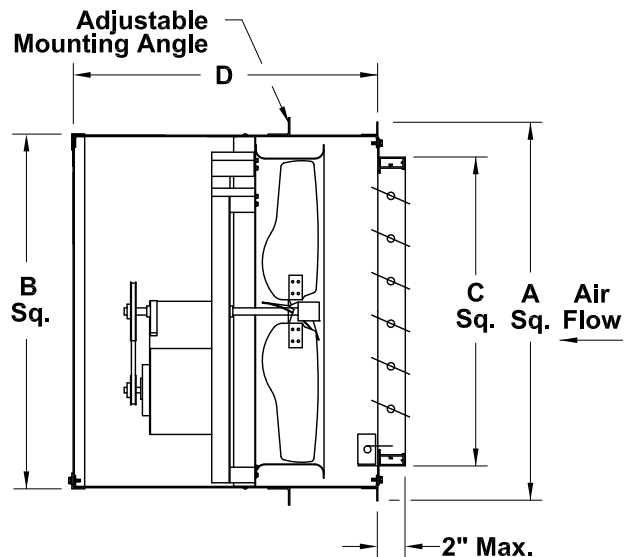
**STANDARD CONSTRUCTION FEATURES:**

X-stream steel propeller - Propeller hub keyed to shaft - Continuously welded wall panel corners - Galvanized steel wall housing - Adjustable mounting angle - Galvanized steel wire guard - Motorized supply shutter - Lorenized powder paint finish on all uncoated steel parts - Corrosion resistant fasteners - 14 gauge steel venturi - Permanently lubricated ball bearing motor - Regreasable bearings in a cast housing rated at 200,000 hours average life - Adjustable pitch drives through 5 hp motor - All fans factory adjusted to specified RPM.

NOTE: Mounting angle is 2 pieces, shipped loose.

**ACCESSORIES**

- DISCONNECT SWITCH
- PRE-WIRED DISCONNECT SWITCH
- PRE-WIRED DISCONNECT SWITCH WITH FLEXIBLE CONDUIT
- ALUMINUM EXHAUST SHUTTER - GRAVITY OR MOTORIZED
- ALUMINUM HD EXHAUST SHUTTER - GRAVITY OR MOTORIZED
- WEATHERHOOD
- KNOCKDOWN WEATHERHOOD
- SHUTTER GUARD
- ALUMINUM HOUSING
- BAKED EPOXY POWDER
- BAKED PHENOLIC EPOXY POWDER



QTY	MARK	CATALOG NUMBER	FAN INFORMATION			MOTOR INFORMATION					ACCESSORIES	
			CFM	SP	RPM	HP	VOLTS	HZ	PH	TYPE		

**LARGEST MOTOR SHIPPED MOUNTED: ODP (OPEN DRIP-PROOF) 2 HP; 2 SP (2 SPEED) 1-1/2 HP; X-PRF (EXPLOSION PROOF) 1 HP; TEFC (TOTALLY ENCLOSED FAN COOLED) 1-1/2 HP.**

WP021R03