



# COOK

# AWB

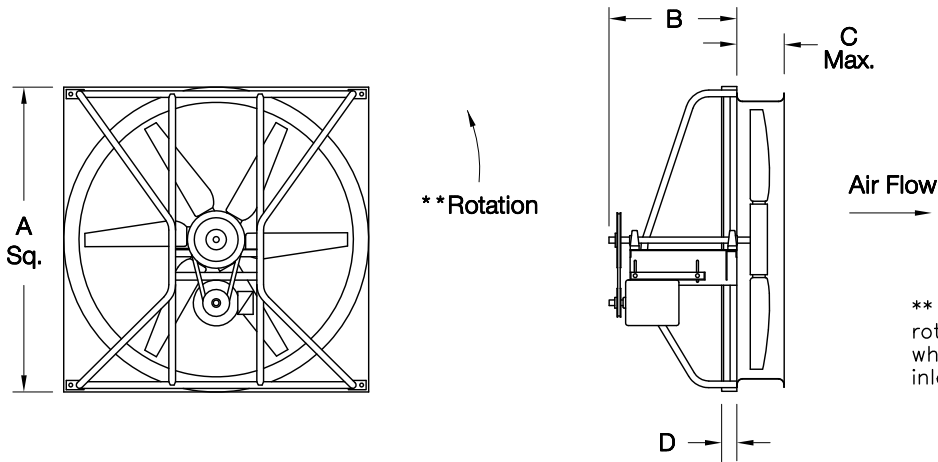
DATE: \_\_\_\_\_

PROJECT: \_\_\_\_\_

LOCATION: \_\_\_\_\_



## Wall Exhaust Fan Cast Aluminum Propeller Belt Drive



### DIMENSION DATA

Size	A Sq.	B	C	D	Wall Opening*	Approx. Ship Wt.
24	30-3/16	19-1/16	6-5/8	3	30-7/16	140
30	36-3/16	19-1/16	6-3/4	3	36-7/16	175
36	42-3/16	19-1/16	7-1/4	3	42-7/16	210
42	48-3/16	20-11/16	8-1/16	3	48-7/16	270
48	54-3/16	26-5/16	8-1/16	3	54-7/16	340

ALL DIMENSIONS IN INCHES. WEIGHTS IN LBS., LESS MOTOR.

\* See wire guard or wall collar submittal for accessory wall opening.

### ACCESSORIES

1. GALVANIZED SHUTTER  
- GRAVITY OR MOTORIZED
2. ALUMINUM SHUTTER  
- GRAVITY OR MOTORIZED
3. ALUMINUM HD SHUTTER  
- GRAVITY OR MOTORIZED
4. BAKED EPOXY POWDER
5. BAKED PHENOLIC EPOXY POWDER
6. PROP SIDE WIRE GUARD
7. MOTOR SIDE WIRE GUARD
8. WALL COLLAR
9. WEATHER HOOD
10. SHUTTER GUARD
11. DISCONNECT SWITCH
12. PRE-WIRED DISCONNECT SWITCH
13. PRE-WIRED DISCONNECT SWITCH WITH FLEXIBLE CONDUIT

### STANDARD CONSTRUCTION FEATURES:

Cast aluminum propeller - Propeller hub keyed to shaft - Propellers are statically and dynamically balanced - 14 gauge steel venturi - Welded wall base corners - Heavy duty steel power assembly - Lorenized powder paint finish - Regreasable bearings in a cast housing rated at 200,000 hours average life - Adjustable pitch through 5 hp - Corrosion resistant fasteners - Static resistant belts - All fans factory adjusted to specified fan RPM.

QTY	MARK	CATALOG NUMBER	FAN INFORMATION			MOTOR INFORMATION					ACCESSORIES							
			CFM	SP	RPM	HP	VOLTS	HZ	PH	TYPE								

LARGEST MOTOR SHIPPED MOUNTED: ODP (OPEN DRIP-PROOF) 5 HP; 2 SP (2 SPEED) 2 HP;

X-PRF (EXPLOSION PROOF) 2 HP; TEFC (TOTALLY ENCLOSED FAN COOLED) 3 HP.

WP007R04