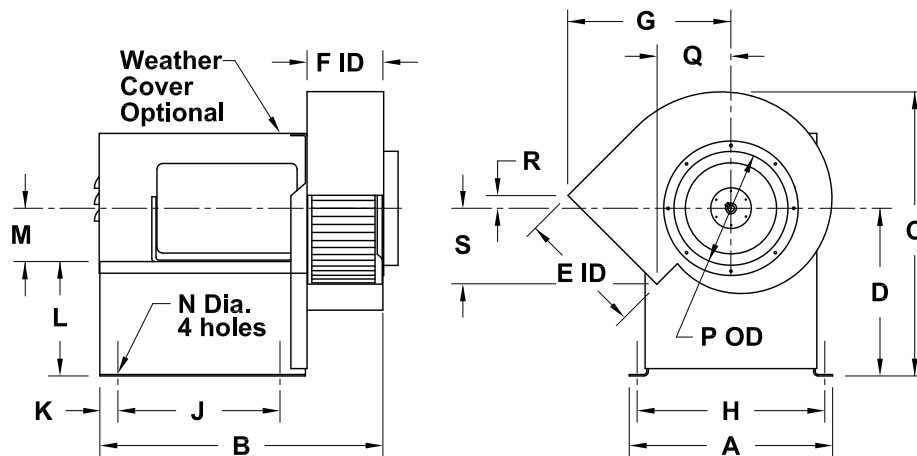


DATE: _____
 PROJECT: _____
 LOCATION: _____



**Forward Curved
 Centrifugal Blower
 Direct Drive
 Clockwise Top Angular Down
 Arrangement 4**



DIMENSION DATA

| Size | A | B | C Min. | C Max. | D Min. | D Max. | E | F | G | H | J | K |
|------|--------|--------|----------|----------|--------|--------|--------|-------|---------|--------|--------|---|
| 6 | 13-1/2 | 18-1/2 | 14-7/16 | 14-15/16 | 7-5/8 | 8-1/8 | 7-7/8 | 4-5/8 | 13-1/16 | 12-1/2 | 10-3/4 | 1 |
| 7 | 13-1/2 | 20-1/4 | 17-1/2 | 18 | 10-1/8 | 10-5/8 | 8-3/8 | 5-3/8 | 13-3/4 | 12-1/2 | 12-1/4 | 1 |
| 9 | 14 | 21-3/4 | 19-13/16 | 19-13/16 | 11-1/8 | 11-1/8 | 9-7/8 | 5-7/8 | 15-7/8 | 12-3/4 | 13-3/4 | 1 |
| 10 | 15-1/2 | 22-1/4 | 23-1/8 | 24-1/8 | 13-3/8 | 14-3/8 | 11-3/8 | 6-3/8 | 18 | 14-1/4 | 13-3/4 | 1 |
| 12 | 17 | 22-3/4 | 24-7/8 | 25-7/8 | 13-3/8 | 14-3/8 | 13-3/8 | 5-7/8 | 20-7/8 | 15-3/4 | 14-1/4 | 1 |

| Size | L | M Min. | M Max. | N | P | Q | R | S | Material Gauges | | | | Unit Wt. |
|------|-------|--------|--------|------|--------|---------|--------|--------|-----------------|------------|--------------|---------|----------|
| | | | | | | | | | Base | Side Panel | Scroll Sides | Wrapper | |
| 6 | 4-5/8 | 2-7/8 | 3-5/8 | 7/16 | 7 | 3-11/16 | 1-1/4 | 4-3/8 | 14 | 14 | 16 | 20 | 21 |
| 7 | 7-1/8 | 2-7/8 | 3-5/8 | 7/16 | 7 | 3-7/8 | 1-1/4 | 4-3/4 | 14 | 14 | 16 | 20 | 25 |
| 9 | 7-5/8 | 3-3/8 | 4-5/8 | 9/16 | 9 | 4-3/8 | 1-9/16 | 5-1/2 | 12 | 14 | 16 | 20 | 35 |
| 10 | 9-7/8 | 3-3/8 | 4-5/8 | 9/16 | 9 | 4-15/16 | 1-3/4 | 6-7/16 | 12 | 12 | 16 | 20 | 50 |
| 12 | 9-7/8 | 3-3/8 | 4-5/8 | 9/16 | 12-1/2 | 5-11/16 | 2-1/2 | 7-1/16 | 10 | 12 | 16 | 20 | 65 |

ALL DIMENSIONS IN INCHES. WEIGHTS IN LBS., LESS MOTOR.
 DIMENSIONS C, D, AND M VARY WITH MOTOR FRAME SIZE.