



COOK

Roof Exhauster AVAD

DATE: _____

PROJECT: _____

LOCATION: _____

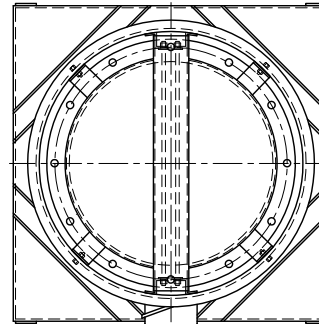


**Adjustable Pitch Vane Axial
Roof Exhauster
Direct Drive
Arrangement 4**

DIMENSION DATA

Size	A	T Sq.	ODP Max. Mtr. Frame	Ship Wt. less Mtr.
35	59	46	256TC	790
39	59	50	256TC	1050
44	63	55-1/2	286TC	1281
49	75-1/2	60-1/2	286TC	1440
57	89-1/2	68-1/2	405TC	2364
63	83-1/2	74-1/4	405TC	2679
71	95-1/2	83	449TC	4718
79	99-5/8	91	449TC	5600

ALL DIMENSIONS IN INCHES. WEIGHTS IN LBS.

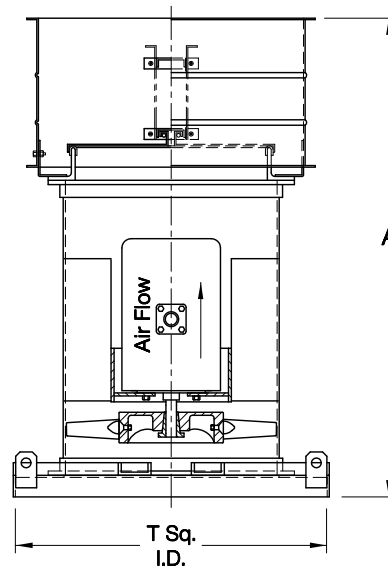


STANDARD CONSTRUCTION FEATURES:

All aluminum adjustable pitch cast prop – Minimum 3/16 ga. Lorenized steel housing with integral straightening vanes – Extended lube lines – Integral lifting lugs.

ACCESSORIES

1. INLET/OUTLET GUARD
2. INSPECTION DOOR
3. HUB COVER
4. DISCONNECT SWITCH



QTY	MARK	CATALOG NUMBER	FAN INFORMATION			MOTOR INFORMATION					ACCESSORIES						
			CFM	SP	RPM	HP	VOLTS	HZ	PH	TYPE							