



# COOK

# AFD-C

DATE: \_\_\_\_\_  
 PROJECT: \_\_\_\_\_  
 LOCATION: \_\_\_\_\_



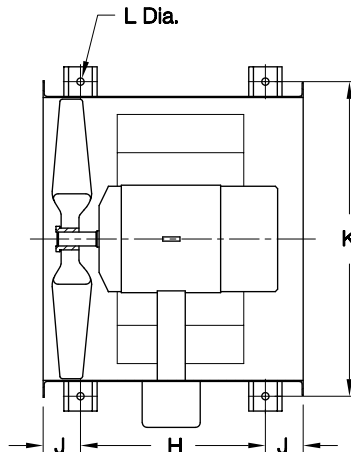
Tube Axial Fan  
 Horizontal Ceiling Mount  
 Direct Drive  
 Arrangement 4

**DIMENSION DATA**

Size	A	B	C	D	E	F	G	H	J	K	L
12	12-7/8	15-5/8	14-5/8	12 Ga.	22	5/16	6	15	3-1/2	15	7/16
16	16-7/8	19-5/8	18-5/8	12 Ga.	25	5/16 x 5/8	6	18	3-1/2	19	7/16
18	18-7/8	21-5/8	20-5/8	12 Ga.	25	5/16 x 5/8	6	18	3-1/2	21	7/16
24	24-7/8	29-1/8	26-7/8	10 Ga.	31	7/16 x 3/4	6	23	4	27	7/16
28	28-7/8	33-1/8	30-7/8	10 Ga.	31	7/16 x 3/4	6	23	4	31	7/16
32	33	37-1/4	35	10 Ga.	34	7/16 x 3/4	6	25-1/2	4-1/4	35-1/2	11/16
36	37	41-3/8	39	10 Ga.	34	7/16 x 3/4	6	25-1/2	4-1/4	39-1/8	11/16
44	45	49-3/8	47-1/2	10 Ga.	42	7/16 x 3/4	12	33-1/2	4-1/4	47-5/8	11/16
48	49-1/8	53-1/2	51-5/8	10 Ga.	42	7/16 x 3/4	12	32-1/2	4-3/4	51-3/4	11/16
54	55-3/8	60-3/4	57-5/8	7 Ga.	42	7/16 x 3/4	12	32-1/2	4-3/4	58	11/16
60	61-3/8	66-3/4	63-5/8	7 Ga.	42	7/16 x 3/4	12	32-1/2	4-3/4	64	11/16

Size	TEFC Max. Mtr. Frame	Ship Wt.
12	56	62
16	182T	87
18	182T	99
24	182T	149
28	184T	191
32	215T	230
36	254T	246
44	256T	362
48	284T	427
54	365T	807
60	405T	898

ALL DIMENSIONS IN INCHES. WEIGHTS IN LBS.

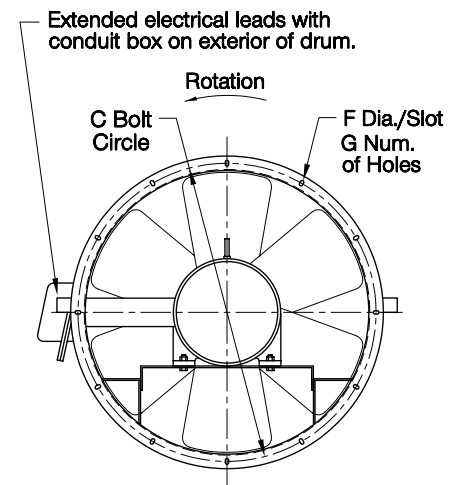
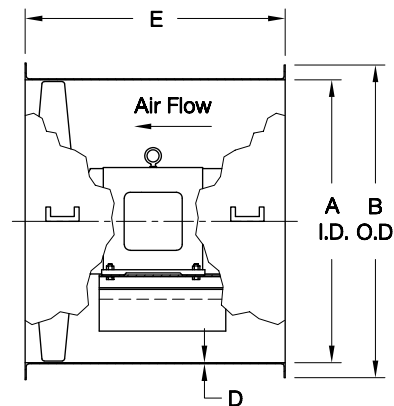


**STANDARD CONSTRUCTION FEATURES:**

All aluminum cast prop - Minimum 12 ga.  
 Lorenized steel housing - Extended lube lines.

**ACCESSORIES**

1. INLET/OUTLET GUARD
2. INLET/OUTLET COMPANION FLANGE
3. VIBRATION ISOLATORS
4. INLET BELL
5. INLET/OUTLET CONE
6. ACCESS DOOR
7. SOUND MUFFLER
8. VANE SECTION



VA071R02