



COOK

AFB-C

DATE: _____

PROJECT: _____

LOCATION: _____



Tube Axial Fan Downblast Floor Mount Belt Drive

Arrangement 9

Size	A	B	C	D	E	F	G	H	J	K	L	ODP Max. Mtr. Frame	Ship Wt. less Mtr.
12	12-7/8	15-5/8	14-5/8	12 Ga.	22	5/16	6	24-5/8	18-1/16	3/8	12-3/4	145T	88
16	16-7/8	19-5/8	18-5/8	12 Ga.	25	5/16 x 5/8	6	30-1/8	22-1/16	3/8	15-5/8	182T	123
18	18-7/8	21-5/8	20-5/8	12 Ga.	25	5/16 x 5/8	6	31-1/8	24-1/16	3/8	17	213T	140
24	24-7/8	29-1/8	26-7/8	10 Ga.	31	7/16 x 3/4	6	39-7/8	30-13/16	3/8	21-3/4	215T	235
28	28-7/8	33-1/8	30-7/8	10 Ga.	31	7/16 x 3/4	6	41-7/8	34-13/16	3/8	24-5/8	254T	269
32	33	37-1/4	35	10 Ga.	34	7/16 x 3/4	6	45-1/4	39-15/16	7/16	28-1/4	254T	354
36	37	41-3/8	39	10 Ga.	34	7/16 x 3/4	6	47-1/4	43-15/16	7/16	31-1/16	256T	393
44	45	49-3/8	47-1/2	10 Ga.	42	7/16 x 3/4	12	58-3/4	52	7/16	36-3/4	286T	584
48	49-1/8	53-1/2	51-5/8	10 Ga.	42	7/16 x 3/4	12	60-3/4	57-1/8	7/16	40-3/8	324T	685
54	55-3/8	60-3/4	57-5/8	7 Ga.	42	7/16 x 3/4	12	51-3/4	63-5/8	7/16	45	326T	940
60	61-3/8	66-3/4	63-5/8	7 Ga.	42	7/16 x 3/4	12	54-3/4	69-3/8	7/16	49-1/16	364T	1050

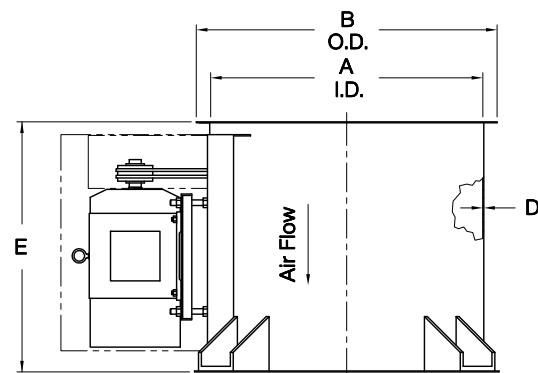
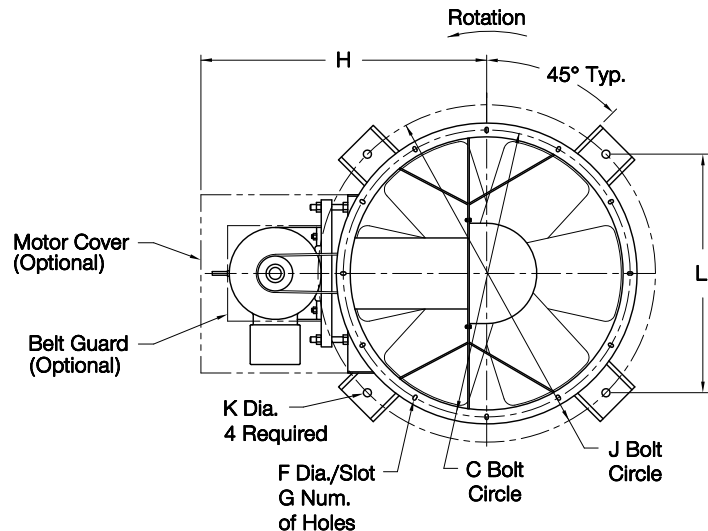
ALL DIMENSIONS IN INCHES. WEIGHTS IN LBS.

STANDARD CONSTRUCTION FEATURES:

All aluminum cast prop - Minimum 12 ga.
 Lorenized steel housing - Extended lube
 lines - Regreasable bearings in cast pillow
 block housing.

ACCESSORIES

1. INLET/OUTLET GUARD
2. INLET/OUTLET COMPANION FLANGE
3. VIBRATION ISOLATORS
4. INLET BELL
5. INLET/OUTLET CONE
6. ACCESS DOOR
7. SOUND MUFFLER
8. VANE SECTION
9. MOTOR COVER
10. BELT GUARD
11. BOMBAY DOORS



LARGEST MOTOR SHIPPED MOUNTED: ODP (OPEN DRIP-PROOF) 25 HP; 2 SP (2 SPEED) 20 HP;
 X-PRF (EXPLOSION PROOF) 20 HP; TEFC (TOTALLY ENCLOSED FAN COOLED) 20 HP.

VA044R03