



COOK

SRSH-B

DATE: _____

PROJECT: _____

LOCATION: _____

Tamper Proof Downblast Centrifugal Exhaust Ventilator Roof Mounted/Belt Drive

DIMENSION DATA

Size	A	B	C	D	E	F	G	T Sq.	Ship Wt.	Roof Opening Sq.*
60	23-7/16	1	29-1/4	2	11-23/32	3-9/16	13-1/16	18-1/4	133	13-1/2
70	23-7/16	1	29-1/4	2	11-23/32	3-9/16	13-1/16	18-1/4	133	13-1/2
80	23-7/16	1	29-1/4	2	11-23/32	3-9/16	13-1/16	18-1/4	133	13-1/2
100	23-7/16	1	29-1/4	2	11-23/32	3-9/16	13-1/16	18-1/4	133	13-1/2
120	24-11/16	1	32-11/16	2	10-23/32	4-19/32	13-1/16	20-1/4	150	15-1/2
135	25-5/8	1	33-3/4	2	10-23/32	4-19/32	13-1/16	20-1/4	154	15-1/2
150	29-9/16	1	38-13/16	2	13-7/32	5-3/32	16-1/16	24-1/4	190	19-1/2
165	30-1/2	1	39-15/16	2	13-7/32	5-3/32	16-1/16	24-1/4	195	19-1/2
180	36-7/16	1-1/2	47-9/16	3	16-1/4	6-3/32	20-1/16	30-1/4	264	25-1/2
195	37-3/8	1-1/2	48-11/16	3	16-1/4	6-3/32	20-1/16	30-1/4	270	25-1/2
210	38-5/16	1-1/2	49-3/4	3	16-1/4	6-3/32	20-1/16	30-1/4	277	25-1/2
225	39-1/4	1-1/2	50-13/16	3	16-1/4	6-3/32	20-1/16	30-1/4	287	25-1/2
245	40-1/2	1-1/2	52-1/4	3	16-1/4	6-3/32	20-1/16	30-1/4	297	25-1/2
270	46	1-1/2	60	3	19-1/4	7-3/32	24-1/16	36-1/4	378	31-1/2

ALL DIMENSIONS IN INCHES. WEIGHTS IN LBS.

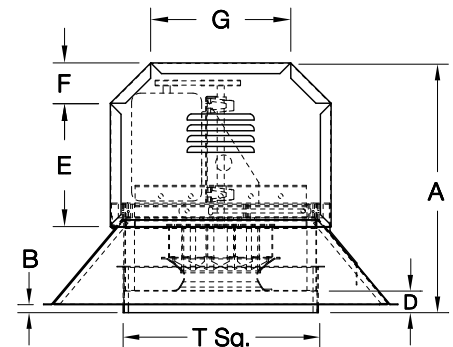
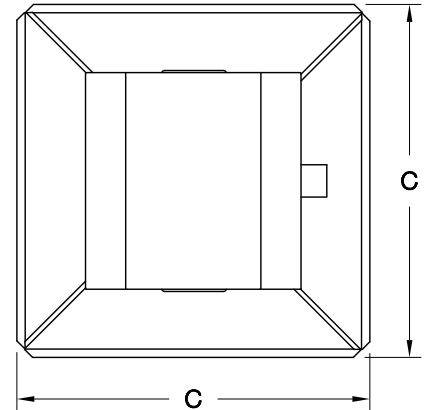
* ROOF OPENING SIZE FOR CURBS SUPPLIED BY COOK ONLY.

STANDARD CONSTRUCTION FEATURES:

All galvanized housing – Backward inclined all aluminum wheel – Hinged galvanized access hood with restraining bar – Birdscreen – Vibration isolators – Regreasable pillow block bearings – Static resistant belts – Adjustable pitch drives – Permanently lubricated ball bearing motors – Tamper proof corrosion resistant external fasteners – Stainless steel locking hasp for padlock under outer skirt.

ACCESSORIES

1. DISCONNECT SWITCH, MOUNTED & WIRED
2. GRAVITY BACKDRAFT DAMPER
3. MOTORIZED BACKDRAFT DAMPER
4. RCG GALVANIZED CURB
5. RCA ALUMINUM CURB



QTY	MARK	CATALOG NUMBER	FAN INFORMATION			MOTOR INFORMATION					ACCESSORIES							
			CFM	SP	RPM	HP	VOLTS	HZ	PH	TYPE								

MOTOR TYPE: ODP (OPEN DRIP-PROOF); TEFC (TOTALLY ENCLOSED FAN COOLED); X-PRF (EXPLOSION PROOF)

TP001R02