



COOK

QMXDVP/QMXDHPVP

DATE: _____

PROJECT: _____

LOCATION: _____



Vari-Plume®
Laboratory Exhaust
Mixed-Flow Inline
Dual Access Direct Drive
with Isolation Box

DIMENSION DATA

Size	A	B	C	D	Approx. Ship Wt.
150	101	30	29 1/8	36	496
165	104	32	31 1/8	36	551
180	111	34	33 1/8	43	629
202	118	38	36 15/16	50	746
225	127	42	40 15/16	50	872
245	135	44	42 15/16	61	969
270	144	48	46 15/16	61	1094
300	162	52	50 15/16	74	1271
330	168	56	54 13/16	74	1451
365	189	62	60 3/4	89	1907
402	197	67	65 5/8	89	2258
445	216	74	72 5/8	89	2739
490	234	80	78 1/2	101	3349
540	252	90	85 3/8	101	4013
600	275	101	94 3/8	101	5009

ALL DIMENSIONS IN INCHES, WEIGHTS IN LBS LESS MOTOR.
 * RECOMMENDED CURB OUTSIDE SQUARE DIMENSION.
 ** ISOLATION BOX INSIDE SQUARE DIMENSION.
 *** DIMENSION IS FROM THE BOTTOM OF THE ISOLATION BOX TO THE TOP OF THE CURB.

STANDARD CONSTRUCTION FEATURES:

High efficiency, non-overloading mixed-flow welded aluminum wheel - Minimum 14 gauge steel welded dual access housing - Welded aerodynamic straightening vanes - Double concentric accelerator fiberglass reinforced plastic induction nozzle and windband - Phenolic epoxy powder with UV protection (Light Gray) - Bolted access door - Lifting lugs - Fan drain - Weather cover - Reinforced curb cap - Inlet duct collar - Stainless Steel hardware - Stainless Steel extended lube lines - NEMA 3R disconnect mounted and pre-wired - Designed to withstand 125 mph wind****

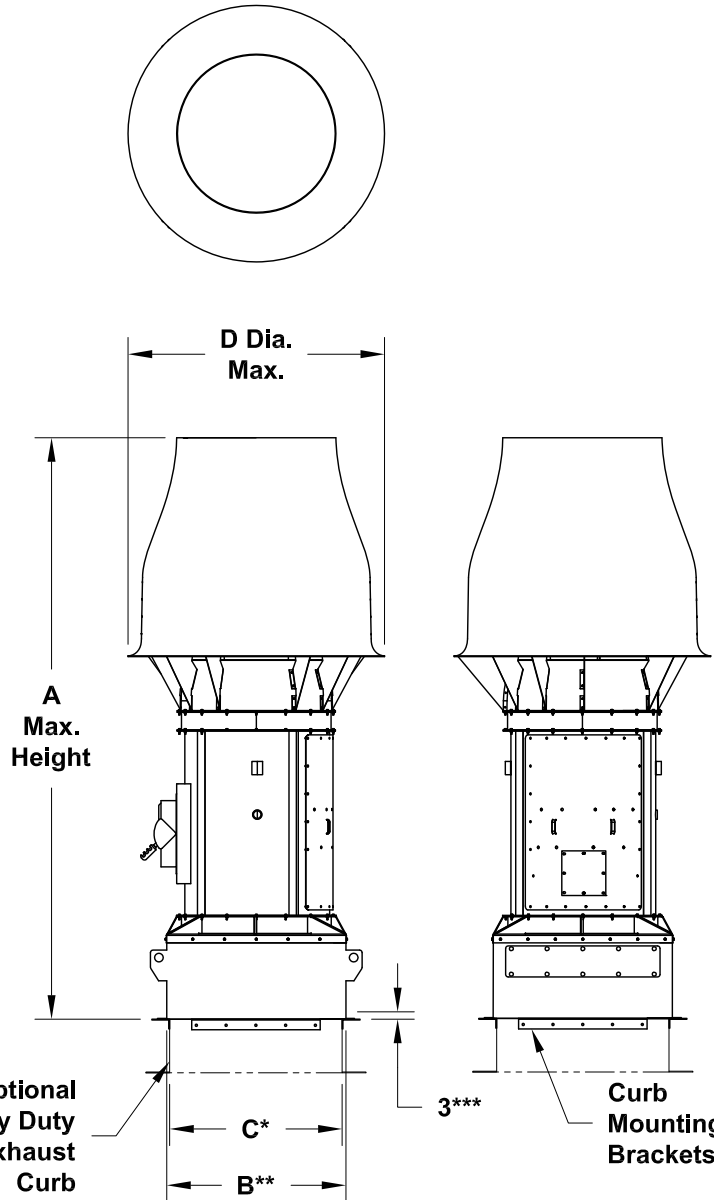
ISOLATION BOX: Single wall welded steel construction with inner angle frame - Bottom inlet location - Phenolic epoxy powder with UV protection (Light Gray) - Plenum drain - Painted aluminum gravity isolation damper - Stainless Steel hardware - Designed to withstand 125 mph****

OPTIONAL FEATURES SHOWN:

Heavy Duty Lab Exhaust Curb

Optional Heavy Duty Lab Exhaust Curb

Curb Mounting Brackets



NOT INTENDED TO BE SUPPORTED BY TRADITIONAL SHEETMETAL ROOF CURB, BUT BY INTEGRAL MEMBERS OF ROOF STRUCTURE.
 **** WINDLOAD RATING DEPENDANT ON ADEQUATE ATTACHMENT TO ROOF STRUCTURE.