



COOK

QMXDVP/QMXDHPVP

DATE: _____

PROJECT: _____

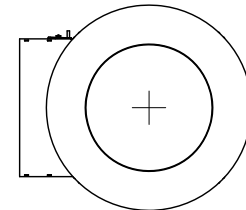
LOCATION: _____



Vari-Plume®
Laboratory Exhaust
Mixed-Flow Inline
Bifurcated Direct Drive
With Mixing Box
Bifurcated Housing Direct Drive

DIMENSION DATA

Size	A	B	C	D	F	G	H	J	Approx. Ship Wt.
150	120	30	29 1/8	36	38	16 9/16	8	20 9/16	879
165	125	32	31 1/8	36	41	18 5/16	8	22 9/16	970
180	133	34	33 1/8	43	44	19 1/16	8	24 9/16	1076
202	143	38	36 15/16	50	49	22 9/16	8	28 9/16	1288
225	154	42	40 15/16	50	54	22 9/16	9	30 9/16	1503
245	165	44	42 15/16	61	57	24 13/16	9	32 9/16	1667
270	175	48	46 15/16	61	62	26 9/16	9	36 9/16	1882
300	197	52	50 15/16	74	68	29 13/16	9	40 9/16	2195
330	206	56	54 13/16	74	73	33 1/16	9	44 9/16	2343
365	233	62	60 3/4	89	82	35 1/16	11	46 7/16	3048
402	247	67	65 5/8	89	90	41 5/16	11	50 3/8	3647
445	276	74	72 5/8	89	102	47 1/16	13	55 3/8	4465
490	305	80	78 1/2	101	113	57 5/16	13	59 3/16	6411
540	336	87	85 3/8	101	126	66 1/16	15	62 3/16	8028
600	376	96	94 3/8	101	144	81 9/16	15	69 3/16	9916



ALL DIMENSIONS IN INCHES. WEIGHTS IN LBS., LESS MOTOR.
* RECOMMENDED CURB OUTSIDE SQUARE DIMENSION.
** MIXING BOX INSIDE SQUARE DIMENSION.
*** DIMENSION IS FROM THE BOTTOM OF THE CURB CAP TO THE TOP OF THE CURB.

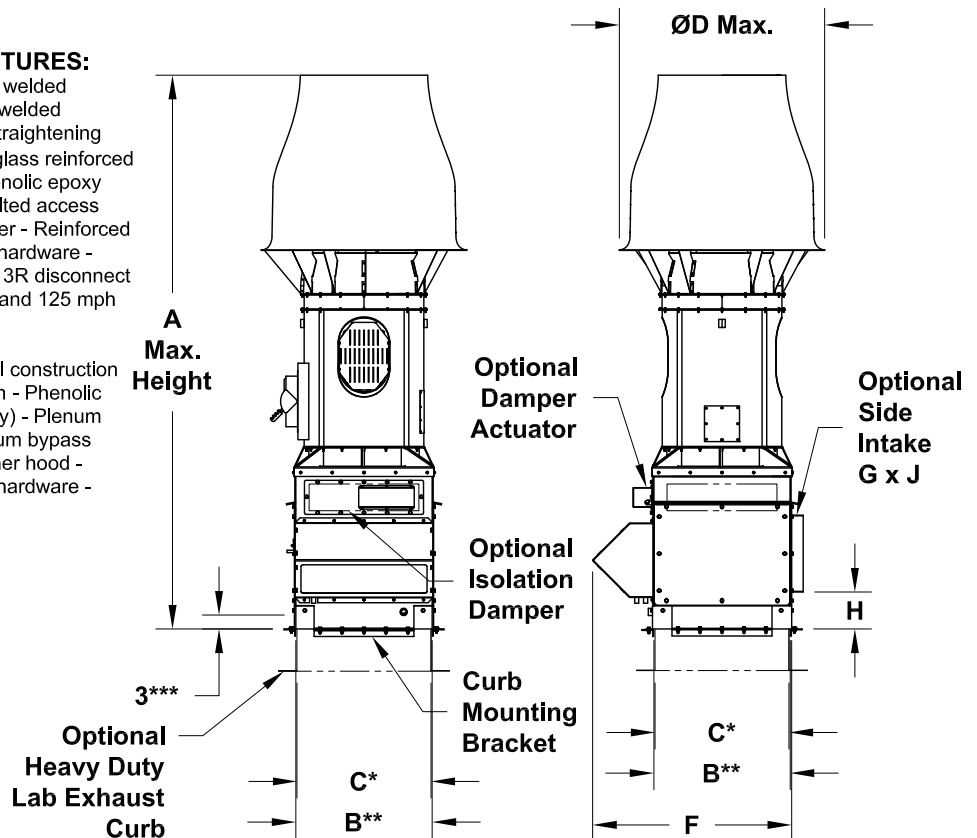
STANDARD CONSTRUCTION FEATURES:

High efficiency, non-overloading mixed-flow welded aluminum wheel - Minimum 14 gauge steel welded bifurcated housing - Welded aerodynamic straightening vanes - Double concentric accelerator fiberglass reinforced plastic induction nozzle and windband - Phenolic epoxy powder with UV protection (Light Gray) - Bolted access door - Lifting lugs - Fan drain - Weather cover - Reinforced curb cap - Inlet duct collar - Stainless Steel hardware - Stainless Steel extended lube lines - NEMA 3R disconnect mounted and pre-wired - Designed to withstand 125 mph wind****

BYPASS PLENUM: Single wall welded steel construction with inner angle frame - Bottom inlet location - Phenolic epoxy powder with UV protection (Light Gray) - Plenum drain - Bolted access door - Painted aluminum bypass damper with manual hand quadrant - Weather hood - Stainless steel birdscreen - Stainless Steel hardware - Designed to withstand 125 mph****

OPTIONAL FEATURES SHOWN:

Heavy Duty Lab Exhaust Curb
Side Intake Opening
Isolation Damper
Damper Actuator



NOT INTENDED TO BE SUPPORTED BY TRADITIONAL SHEETMETAL ROOF CURB, BUT BY INTEGRAL MEMBERS OF ROOF STRUCTURE.

**** WINDLOAD RATING DEPENDANT ON ADEQUATE ATTACHMENT TO ROOF STRUCTURE.