

DATE: \_\_\_\_\_  
 PROJECT: \_\_\_\_\_  
 LOCATION: \_\_\_\_\_

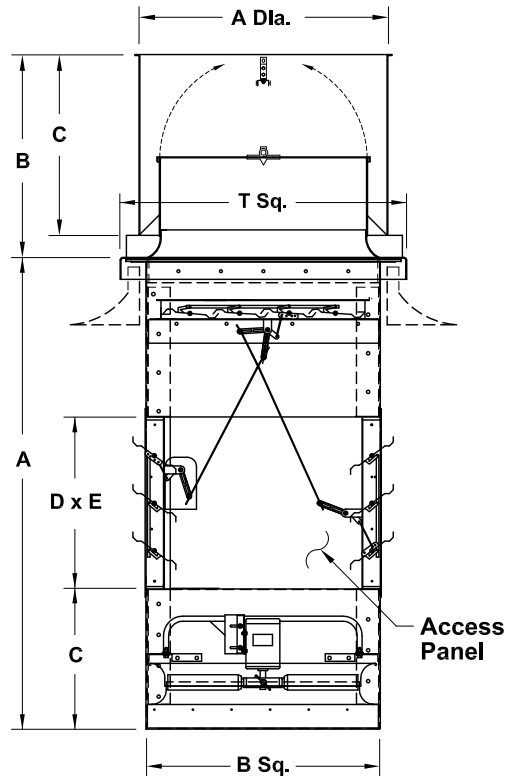


**Economizer Fan  
 Mix, Recirculate, Supply  
 Direct Drive**

**DIMENSION DATA**

Size	A***	B Sq.	C	D (Height)	E (Width)	H	W Sq.	T Sq.	Material Gauge			Roof Opening Sq.*	RCG Curb Size	Ship Wt.
									Base	Hood	Plenum			
24	60-1/4	31-1/2	18	21-3/4	23-3/4	26	59	37-1/2	14	18	14	32-1/2	35	635
30	65-3/4	37-1/2	18	27-1/4	29-3/4	28	69	43-1/2	14	18	14	38-1/2	41	785
36	71-1/4	43-1/2	18	32-3/4	35-3/4	29	80	49-1/2	14	16	14	44-1/2	47	910
42	78-3/4	49-1/2	20	38-1/4	41-3/4	39	90	55-1/2	14	16	14	50-1/2	53	1125
48	84-1/4	55-1/2	20	43-3/4	47-3/4	39	90 x 110	61-1/2	14	16	14	56-1/2	59	1480
54**	89-3/4	61-1/2	20	49-1/4	53-3/4	42	109	67-1/2	14	18	14	62-1/2	65	1850

ALL DIMENSIONS IN INCHES. WEIGHTS IN LBS.  
 HOOD AND CABINET SHIPPED SEPARATELY.  
 \* ROOF OPENING SIZE FOR CURBS SUPPLIED BY COOK ONLY.  
 \*\* SIZE 54 REQUIRES FIELD ASSEMBLY OF HOOD.  
 \*\*\* IF ORDERING 12" CABINET EXTENSION,  
 ADD 12" TO 'A' DIMENSION.  
 \*\*\* IF ORDERING 24" CABINET EXTENSION,  
 ADD 24" TO 'A' DIMENSION.



**STANDARD CONSTRUCTION FEATURES:**

Extruded aluminum propeller - Galvanized steel hood -  
 Steel curb cap with continuously welded corners and Lorenized fan finish - Galvanized steel plenum - Heavy duty steel power assembly - Propellers are statically and dynamically balanced - Corrosion resistant fasteners - Heavy duty galvanized steel control dampers.

**ACCESSORIES**

1. REMOTE MOUNTED CONTROL PANEL
2. MODULATING TEMPERATURE CONTROL
3. DISCONNECT SWITCH
4. RCG GALVANIZED CURB
5. ALUMINUM HOOD
6. INSULATED CURB DAMPER
7. OUTLET DIFFUSER
8. EPOXY COATING
9. 12" CABINET EXTENSION\*\*\*
10. 24" CABINET EXTENSION\*\*\*
11. SPECIAL

QTY	MARK	CATALOG NUMBER	FAN INFORMATION			MOTOR INFORMATION					ACCESSORIES		
			CFM	SP	RPM	HP	VOLTS	HZ	PH	TYPE			

**MOTOR TYPE: ODP (OPEN DRIP-PROOF); 2 SP (2 SPEED); X-PRF (EXPLOSION PROOF); TEFC (TOTALLY ENCLOSED FAN COOLED).**