



# COOK

# AUB

DATE: \_\_\_\_\_

PROJECT: \_\_\_\_\_

LOCATION: \_\_\_\_\_

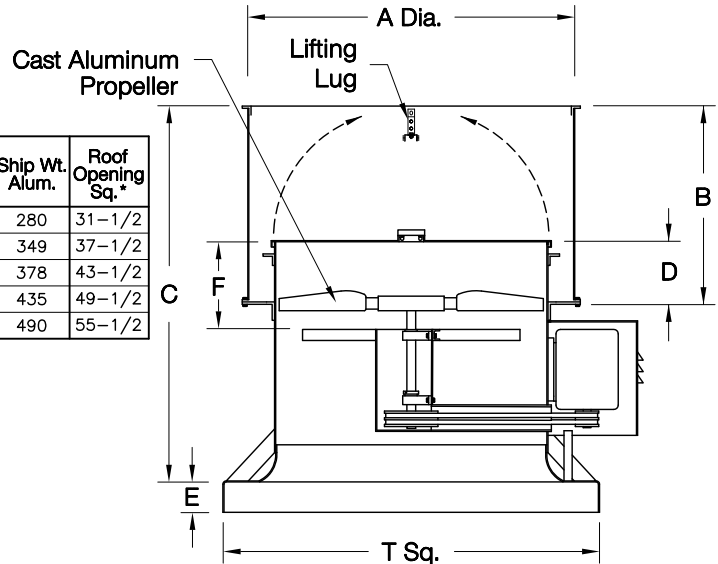


## Propeller Upblast Exhaust Ventilator Aluminum or Steel Roof Mounted/Belt Drive

### DIMENSION DATA

Size	A Dia.	B	C	D	E	F	T Sq.	Max. Motor Frame	Ship Wt. Steel	Ship Wt. Alum.	Roof Opening Sq.*
24	31	19-1/8	47-3/4	4	3	16-13/16	36	184T	335	280	31-1/2
30	37	23-5/8	52-3/8	3-7/8	3	14-5/16	42	254T	425	349	37-1/2
36	43	25-5/8	60-7/8	4	3	15-13/16	48	254T	510	378	43-1/2
42	49	27-7/8	63-5/8	4	3	15-13/16	54	254T	605	435	49-1/2
48	55	31-1/4	67	4	3	14-13/16	60	284T	730	490	55-1/2

ALL DIMENSIONS IN INCHES. WEIGHTS IN LBS., LESS MOTOR.  
\* ROOF OPENING SIZE FOR CURBS SUPPLIED BY COOK ONLY.



### STANDARD CONSTRUCTION FEATURES:

Cast aluminum propeller – Spun steel Venturi/curb cap – Heavy gauge, painted steel lower drum – Painted steel windband – Heavy duty steel power assembly – 2 point lifting lugs – Butterfly damper doors (24–36 alum, 42–48 galv. steel) – Welded curb cap corners – Adjustable pitch drives through 5 hp motor – Regreasable bearings in a cast housing – Propellers are statically and dynamically balanced – Shaft and bearings protected from the airstream – Motor mounted outside of housing under painted steel weather cover – Extended lube lines on bearings – Corrosion resistant fasteners – Static resistant belts – All fans factory adjusted to specified RPM.

### ACCESSORIES

1. NEMA 3 DISCONNECT SWITCH
2. INLET BASKET GUARD
3. DISCHARGE GUARD
4. MAGNETIC LATCHES
5. ACCESS DOOR
6. HINGED SUB-BASE
7. ALUMINUM CONSTRUCTION
8. RCG GALVANIZED CURB
9. RCA ALUMINUM CURB
10. EPOXY POWDER COATING
11. ANTI-CONDENSATE COATING
12. PHENOLIC EPOXY COATING
13. PRIME COAT

QTY	MARK	CATALOG NUMBER	FAN INFORMATION			MOTOR INFORMATION					ACCESSORIES							
			CFM	SP	RPM	HP	VOLTS	HZ	PH	TYPE								

LARGEST MOTOR SHIPPED MOUNTED: ODP (OPEN DRIP-PROOF) 5 HP; 2 SP (2 SPEED) 2 HP; X-PRF (EXPLOSION PROOF) 2 HP; TEFC (TOTALLY ENCLOSED FAN COOLED) 3 HP;

RP001R04