



COOK VCRD/VCRD-HP/VCRD-XP

DATE: _____

PROJECT: _____

LOCATION: _____



**Upblast Centrifugal
Exhaust Ventilator
Roof Mounted/Direct Drive
Seismic Rated**

DIMENSION DATA

Size	A	B	C			G	T Sq.	Ship Wt.	Roof Opening Sq.*
			VCRD	VCRD-HP	VCRD-XP				
100	12-1/2	25-1/4	21-15/16	-	-	2	18	30	13-1/2
120	19-1/16	30-3/16	28-1/4	-	-	2	20	61	15-1/2
135	19-1/16	30-3/16	28-5/8	-	-	2	20	66	15-1/2
150	20-15/16	34-11/16	30-1/4	27-1/2	-	2	24	77	19-1/2
165	20-15/16	34-11/16	30-3/4	27-3/4	26-11/16	2	24	83	19-1/2
180	24-13/16	39-7/16	35-7/8	33-3/8	31-9/16	3	30	100	25-1/2
195	24-13/16	39-7/16	-	33-1/2	32-1/8	3	30	110	25-1/2

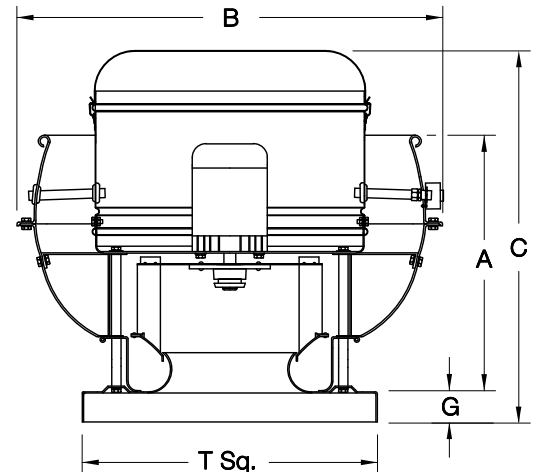
ALL DIMENSIONS IN INCHES. WEIGHTS IN LBS.
* ROOF OPENING SIZE FOR CURBS SUPPLIED BY COOK ONLY.

LISTED POWER VENTILATOR FOR RESTAURANT EXHAUST APPLICATIONS - 327Y.

MAXIMUM OPERATING TEMPERATURE 300°F (UL 762)

STANDARD CONSTRUCTION FEATURES:

All aluminum housing - Backward inclined all aluminum wheel - Two piece top cap with stainless steel quick release latches - One piece bottom spinning - Welded curb cap corners - Permanently lubricated ball bearing motors - Corrosion resistant fasteners - Transit tested packaging



ACCESSORIES

1. DISCONNECT SWITCH
2. RCG GALVANIZED CURB
3. VE VENTED EXTENSION
4. HINGED BASE
5. GREASE TERMINATOR
6. GREASE TROUGH

**OSHPD: OSP-0033-10
SHAKE TABLE TESTED
TO ICC-ES AC156**

QTY	MARK	CATALOG NUMBER	FAN INFORMATION			MOTOR INFORMATION					ACCESSORIES							
			CFM	SP	RPM	HP	VOLTS	HZ	PH	TYPE								

MOTOR TYPE: ODP (OPEN DRIP-PROOF); 2 SP (2 SPEED); X-PRF (EXPLOSION PROOF); TEFC (TOTALLY ENCLOSED FAN COOLED).