



COOK

VCR/VCR-HP/VCR-XP

DATE: _____

PROJECT: _____

LOCATION: _____

**Upblast Centrifugal
Exhaust Ventilator****Hurricane / Missile Impact Resistant****Roof Mounted/Belt Drive****DIMENSION DATA**

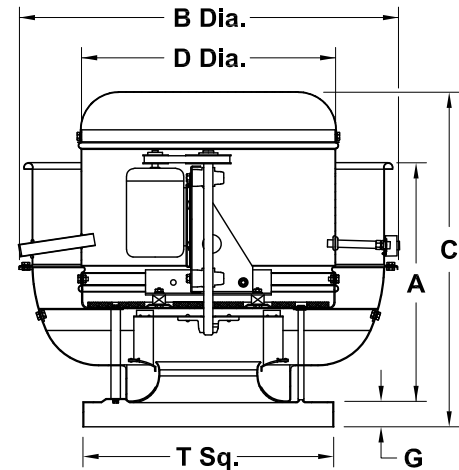
Size	A	B	C			D	G	T Sq.	Ship Wt.	Roof Opening Sq.*
			VCR	VCR-HP	VCR-XP					
100	12-1/2	25-1/4	20-3/16	-	-	16-1/2	2	18	30	13-1/2
120	19-1/16	30-3/16	28-1/4	-	-	20-1/8	2	20	61	15-1/2
135	19-1/16	30-3/16	28-5/8	-	-	20-1/8	2	20	66	15-1/2
150	20-15/16	34-11/16	30-1/4	27-1/2	-	23-9/16	2	24	77	19-1/2
165	20-15/16	34-11/16	30-3/4	27-3/4	26-11/16	23-9/16	2	24	83	19-1/2
180	24-13/16	39-7/16	35-7/8	33-3/8	31-9/16	25-7/8	3	30	100	25-1/2
195	24-13/16	39-7/16	36-3/8	33-1/2	32-1/8	25-7/8	3	30	110	25-1/2
210	25-15/16	45-1/4	38-3/8	35-3/8	32-3/4	29-5/8	3	30	220	25-1/2
225	25-15/16	45-1/4	38-1/8	35-1/2	33-5/16	29-5/8	3	30	242	25-1/2
245	28-1/2	49-1/4	41-1/16	37-5/16	34-1/16	32-5/8	3	30	264	25-1/2
270	28-1/2	49-1/4	41-1/16	37-5/16	35	35-5/8	3	36	286	31-1/2
300	33-7/8	54-1/4	49-15/16	45-15/16	41-7/16	39-1/8	3	36	336	31-1/2

ALL DIMENSIONS IN INCHES. WEIGHTS IN LBS., LESS MOTOR.
* ROOF OPENING SIZE FOR CURBS SUPPLIED BY COOK ONLY.**MIAMI-DADE COUNTY, FLORIDA****Notice of Acceptance (NOA) Number 17-0925.02/11-13-2023****-TAS-201: Large Missile Impact Test****-TAS-202: Uniform Static Air Pressure Test****-TAS-203: Cyclic Wind Pressure Test****STANDARD CONSTRUCTION FEATURES:**

All aluminum housing - Backward inclined all aluminum wheel -
Removable top cap - One piece bottom spinning - Welded curb cap corners
- Lifting lugs - Permanently lubricated ball bearing motors -
lubricated ball bearing motors - Static resistant belts - Adjustable pitch
drives through 5 hp motor - Corrosion resistant fasteners - Regreasable
bearings in cast iron pillow block housing, rated at 200,000 hours average
life - All fans factory adjusted to specified fan RPM - Transit tested
packaging - Standard motors ship factory installed.

ACCESSORIES

1. DISCONNECT SWITCH
2. RCG GALVANIZED CURB
3. VE VENTED EXTENSION
4. HINGED BASE
5. GREASE TERMINATOR
6. GREASE TROUGH

LISTED POWER VENTILATOR FOR
RESTAURANT EXHAUST APPLICATIONS
- 327Y.MAXIMUM OPERATING TEMPERATURE
300°F (UL 762)

QTY	MARK	CATALOG NUMBER	FAN INFORMATION			MOTOR INFORMATION					ACCESSORIES	
			CFM	SP	RPM	HP	VOLTS	HZ	PH	TYPE		

MOTOR TYPE: ODP (OPEN DRIP-PROOF); 2 SP (2 SPEED);
TEFC (TOTALLY ENCLOSED FAN COOLED); X-PRF (EXPLOSION PROOF).

RE005R02