



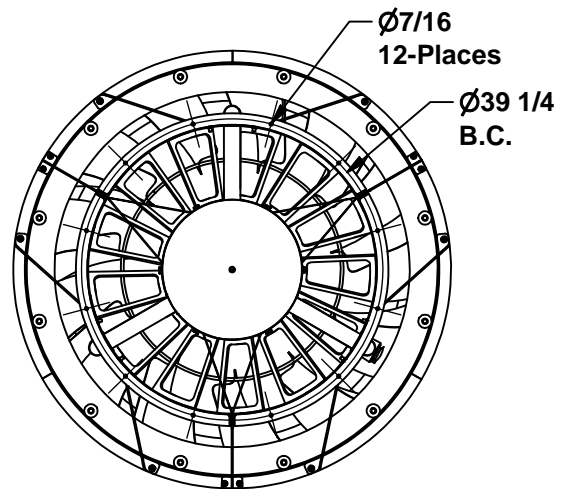
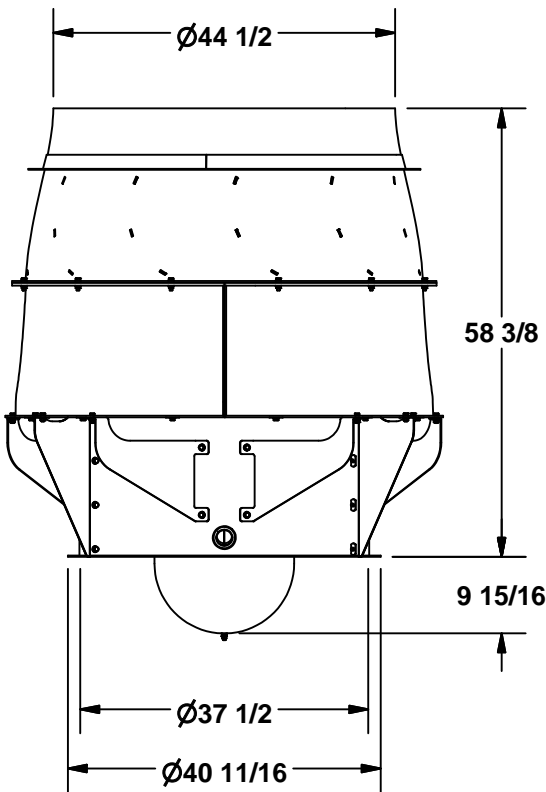
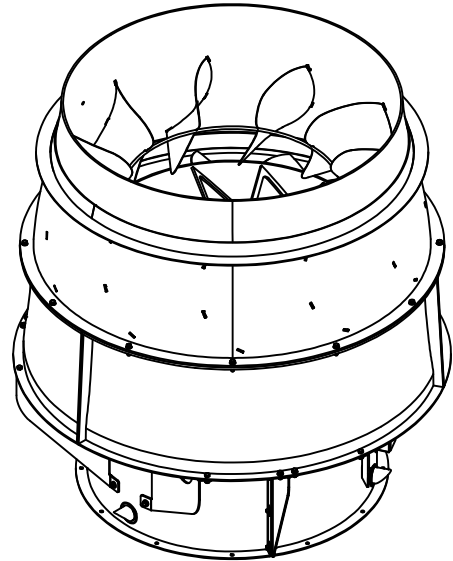
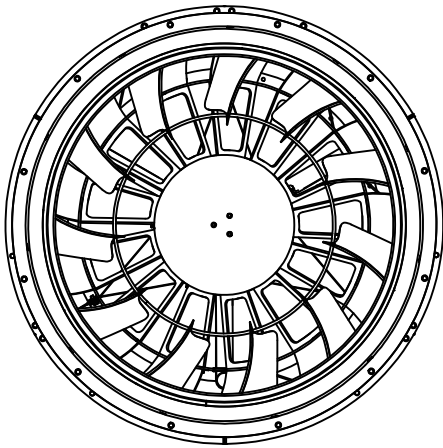
COOK

Power-Plume®

DATE: _____
 PROJECT: _____
 LOCATION: _____



Laboratoy Exhaust
 PP-50-38-13
 Duct Mounted
 Weight 1049 Lbs.



Bottom View

**WARNING: ROTOR IMBALANCE MAY OCCUR UNDER ICING CONDITIONS;
 SEE INSTALLATION, OPERATION AND MAINTENANCE MANUAL FOR DETAILS.**

ALL DIMENSIONS IN INCHES. WEIGHTS IN LBS.

PP004R00