

DATE: _____
 PROJECT: _____
 LOCATION: _____



**Modular Plenum Array
 Centrifugal Plenum Fan
 Direct Drive
 Arrangement 4**

STANDARD CONSTRUCTION FEATURES:

Backward Inclined Aluminum Airfoil Wheel - 6061-T6 extruded aluminum blades - Heavy gauge galvanized steel frame, and front panel. - Integral Lifting Points - Rectangular Framed Duct Connection - Mounting Holes for Stacking and Connecting Multiple Units - Piezometric Ring

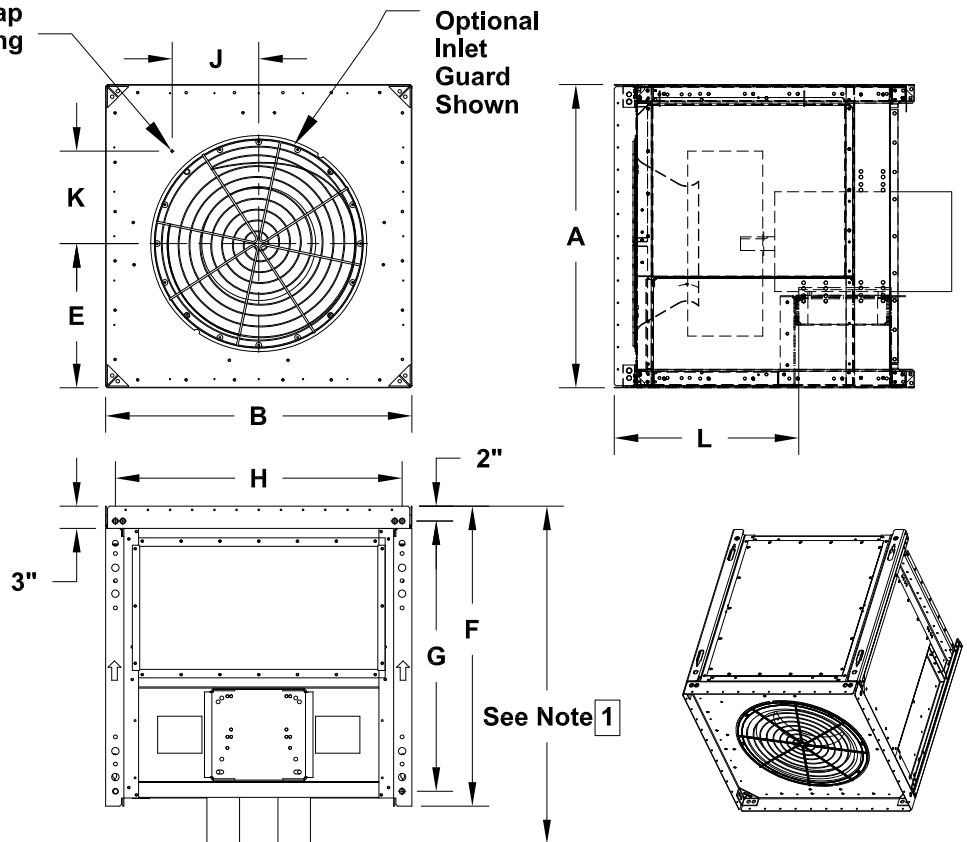
**High Pressure Tap
 For Piezometer Ring**

NOTE:

- OVERALL LENGTH WILL VARY BASED ON MOTOR TYPE, SIZE AND MANUFACTURER

ACCESSORIES:

- GRAVITY INTAKE DAMPER
- INLET GUARD
- ACOUSTIC PANELS
- CLOTH WRAP



DIMENSION DATA

Size	A	B	E	F	G	H	J	K	L	Max HP	Motor Frame	Unit Wt.
100	18-13/16	20	9-1/2	24-9/16	20-1/2	17-3/8	6	5-1/2	14-1/2	5	56-184T	136
120	20-7/8	22-11/16	10-3/4	25-13/16	21-13/16	20	7-3/8	7-1/8	15-7/8	5	56-184T	155
135	22-3/8	24-1/2	11-5/8	28-1/16	24-1/16	21-7/8	8-3/8	7-1/8	18-1/16	7.5	143T-213T	182
150	24-3/16	26-3/4	12-11/16	30-5/8	26-5/8	21-1/8	7-13/16	8	19-1/16	10	143T-215T	219
165	25-3/4	29	13-3/4	35-1/8	31-1/4	26-11/16	9-1/2	8	21-3/16	15	143T-254T	271
180	30	30-7/16	14	36-3/4	32-3/4	27-3/4	9-1/2	8-3/4	21-13/16	20	143T-256T	298
195	34	33-3/4	16	37-7/8	33-13/16	31-1/8	11-7/8	12	23-7/16	20	182T-284T	348
225	37-1/8	37-7/16	17-9/16	39-3/16	35-3/16	34-3/4	10-3/4	11	25-1/16	30	182T-284T	398
245	41	41-7/16	19-1/2	40-9/16	36-9/16	38-3/4	11-3/4	12-1/2	26-7/16	25	182T-284T	463
270	44-7/8	44-7/8	22-7/16	39-3/4	35-3/4	42-1/4	13-7/16	13-7/16	24	30	184T-286T	501
300	49-1/4	49-1/4	24-5/8	44-9/16	40-9/16	46-5/8	15-5/8	15-5/8	26-11/16	40	215T-326T	604
330	53-3/4	53-3/4	26-7/8	46-15/16	42-7/8	51-1/8	17-7/8	17-7/8	27-1/2	60	215T-326T	687
365	59-3/8	59-3/8	29-11/16	50-1/2	46-1/2	56-3/4	20-11/16	20-11/16	32-1/4	75	286T-405T	842
402	64-3/4	64-3/4	32-3/8	51-7/8	47-13/16	62-1/8	23-3/8	23-3/8	33-3/4	75	286T-405T	925

ALL DIMENSIONS IN INCHES. WEIGHTS IN LBS., LESS MOTOR., INCLUDES ACOUSTICAL PANELS