

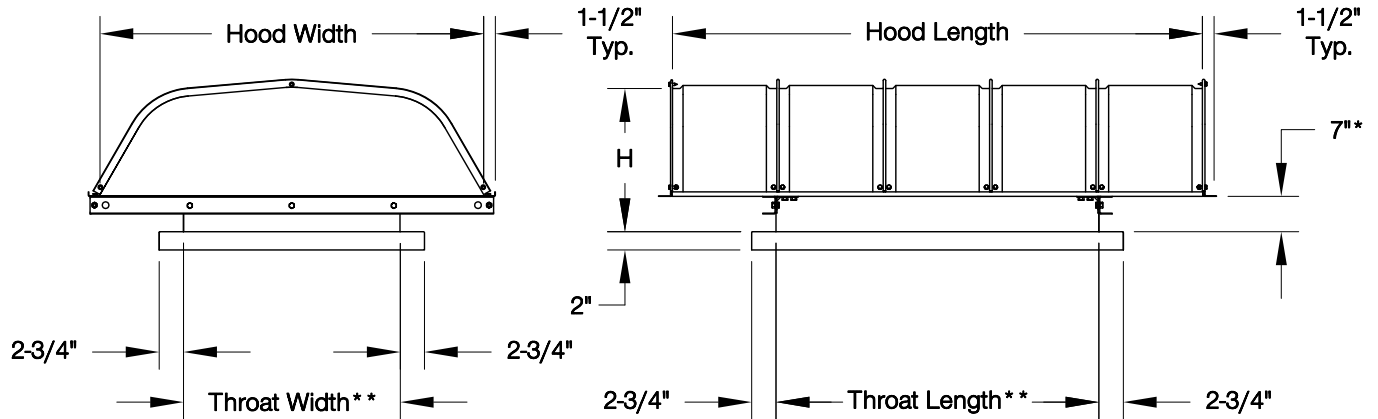


DATE: \_\_\_\_\_

## Aluminum Relief Ventilator

PROJECT: \_\_\_\_\_

LOCATION: \_\_\_\_\_



\*Note: Units with a throat width 24" or less have a 4" standard throat height.  
 \*\*Actual throat length and width are 1/4" greater than nominal values.

### STANDARD CONSTRUCTION FEATURES:

Heavy gauge aluminum construction – Birdscreen  
 – Radius throat – Rain gutter – Welded curb cap corners – Integral lifting lugs/tie down points – Hinged hood standard on throat lengths less than 73" – Five year warranty.

### ACCESSORIES

1. GALVANIZED CONSTRUCTION
2. INSECT SCREEN
3. WASHABLE FILTERS
4. GRAVITY BACKDRAFT DAMPER
5. MOTORIZED BACKDRAFT DAMPER
6. RCG GALVANIZED ROOF CURB
7. RCA ALUMINUM ROOF CURB
8. LORENIZED FAN FINISH
9. EPOXY COATING
10. ALUMINUM BIRDSCREEN
11. ANTI-CONDENSATE COATING

GR Maximum Sizes (1 to 1 Ratio)  
 Shipped Fully Assembled

Width	Length	
	66	90
54		X
60	X	

QTY	MARK	THROAT SIZE	HOOD SIZE	HEIGHT	CFM	THROAT VELOCITY	PRESSURE DROP	ACCESSORIES						
		L X W	L X W	H										