



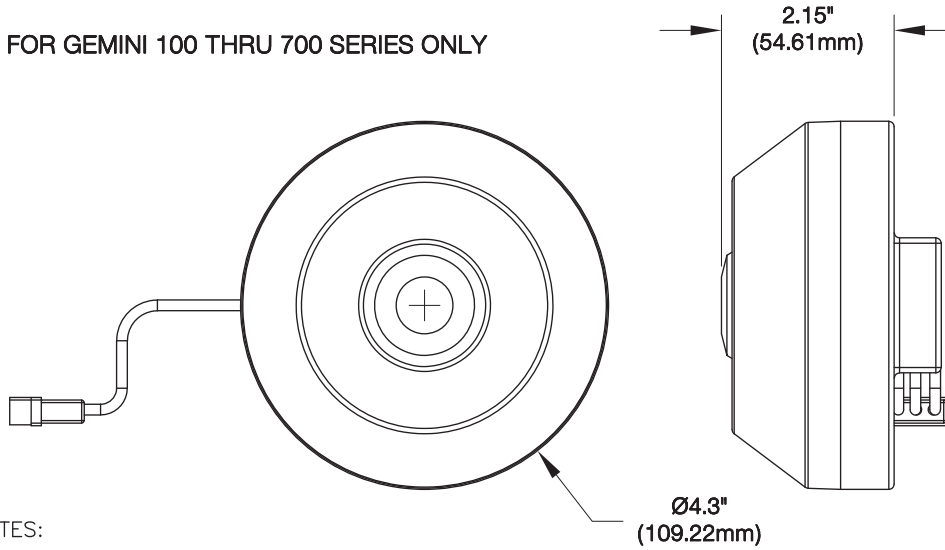
DATE: _____

PROJECT: _____

LOCATION: _____

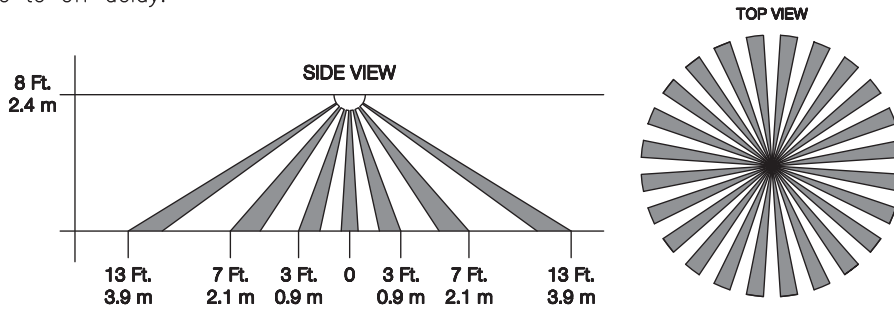
Accessory Data Sheet Motion Sensor Switch Ceiling Mount

AVAILABLE FOR GEMINI 100 THRU 700 SERIES ONLY



NOTES:

1. Rated for 120 or 277 VAC applications.
2. Fits in standard octagon box.
3. 20 seconds to 30 minute adjustable time to off delay.



COVERAGE DATA

Mounting Height		Area of Coverage		Diameter of Coverage	
Feet	Meters	Sq. Feet	Sq. Meters	Feet	Meters
8	2.4	530	47	26	7.8
9	2.7	660	59	29	8.7
10	3.1	804	74	32	9.7
11	3.4	962	90	35	10.7
12	3.6	1200	108	39	11.7

