

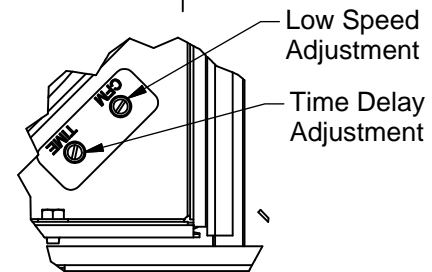
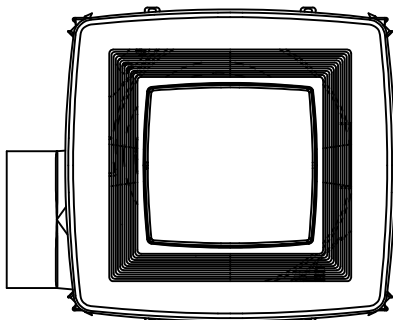
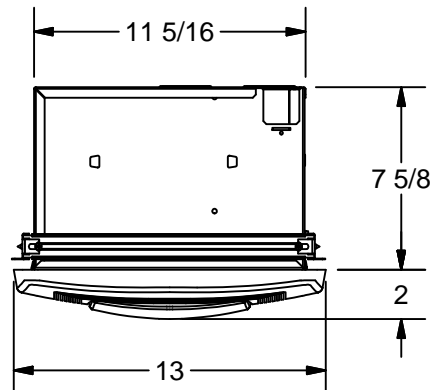
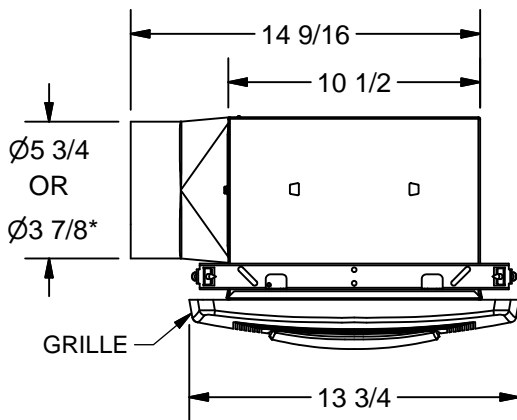
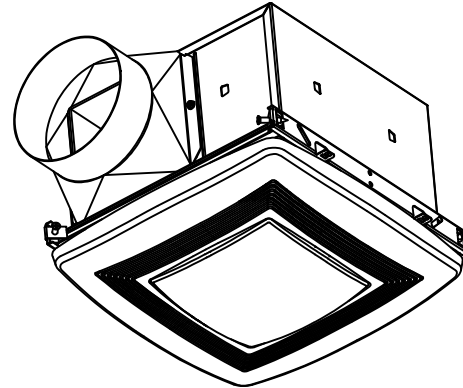
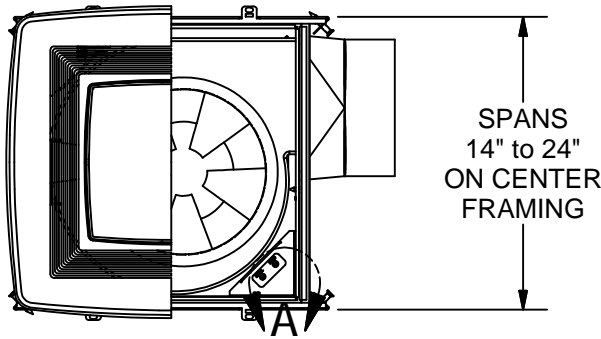


# GEMINI

DATE: \_\_\_\_\_  
 PROJECT: \_\_\_\_\_  
 LOCATION: \_\_\_\_\_



Ceiling Fans  
 Broan  
 GC-ZB110L



**ACCESSORIES:**

1. ROOF JACK
2. ROOF CAP
3. ROUND WALL CAP W. BACKDRAFT DAMPER
4. BRICK VENT
5. 277 VAC TRANSFORMER

**DETAIL A**

**STANDARD CONSTRUCTION FEATURES:**

Forward curved injection molded fan wheel - Injection molded fan housing with round outlet duct - Outlet duct damper - 22ga. galvanized steel inlet box - Easily removeable housing and motor assembly - Variable speed DC motor - Adjustable time delay sets how long fan will run on high speed before returning to continuous lower speed - Internal field wiring compartment - Telescoping mounting bracket adjust from 14" to 24" for mounting to framing - White high impact injection molded grille - (2) 18W, GU24, 3500K light bulbs - Provision for night light, bulb not included - Shipped in certified transit tested packaging - Shipping weight 14 lbs.

ALL DIMENSIONS IN INCHES. WEIGHTS IN LBS.  
 \* ZB80L FANS COME WITH A 6" TO 4" ADAPTOR