

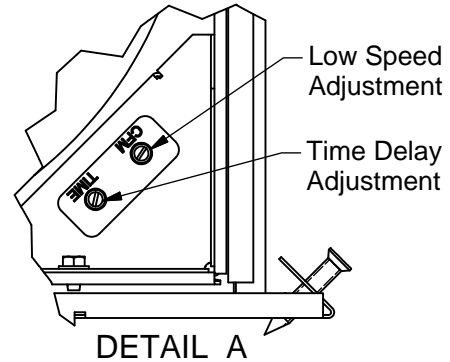
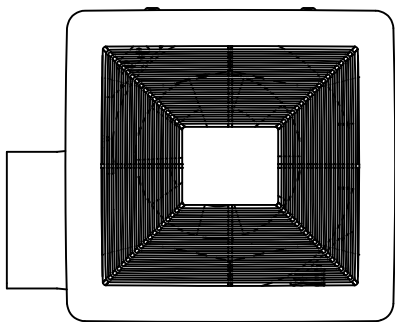
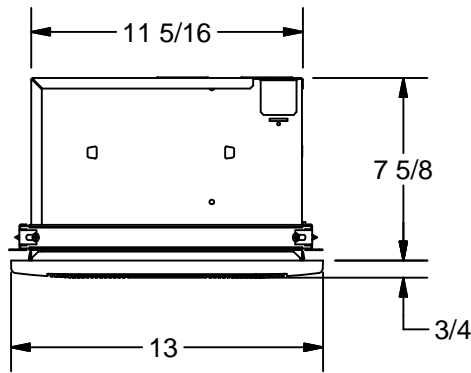
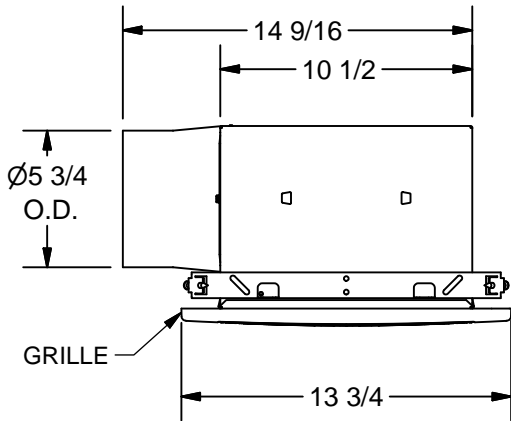
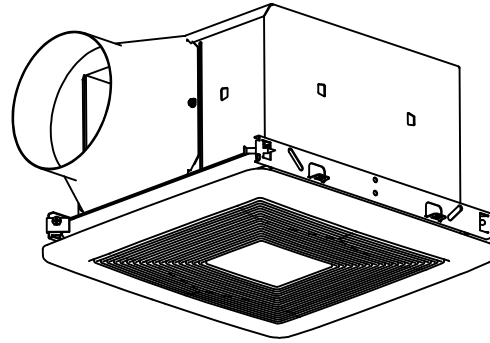
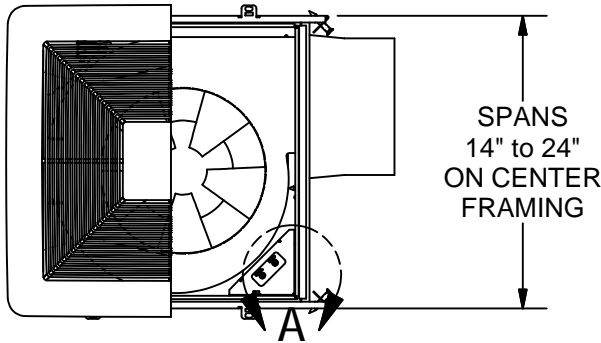


GEMINI

DATE: _____
 PROJECT: _____
 LOCATION: _____



Ceiling Fans
Broan
GC-ZB110



ACCESSORIES:

1. ROOF JACK
2. ROOF CAP
3. ROUND WALL CAP W. BACKDRAFT DAMPER
4. BRICK VENT
5. 277 VAC TRANSFORMER

STANDARD CONSTRUCTION FEATURES:

Forward curved injection molded fan wheel - Injection molded fan housing with round outlet duct - Outlet duct damper - 22ga. galvanized steel inlet box - Easily removeable housing and motor assembly - Variable speed DC motor - Adjustable time delay sets how long fan will run on high speed before returning to continuous low speed - Internal field wiring compartment - Telescoping mounting bracket adjust from 14" to 24" for mounting to framing - White high impact injection molded grille - Shipped in certified transit tested packaging - Shipping weight 13 lbs.

ALL DIMENSIONS IN INCHES. WEIGHTS IN LBS.

GM023R01