



# COOK

# FCE-D/FCED-HP

DATE: \_\_\_\_\_

PROJECT: \_\_\_\_\_

LOCATION: \_\_\_\_\_

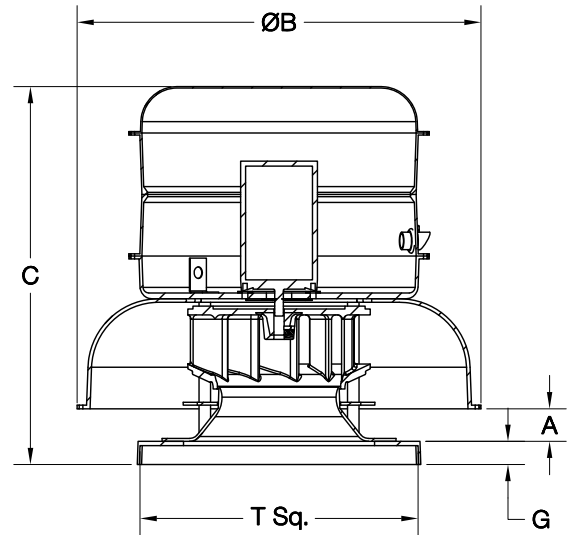


## Fiberglass Downblast Centrifugal Exhaust Ventilator Roof Mounted/Direct Drive

### DIMENSION DATA

| Size | A       | B      | C       | G | T Sq. | Unit Wt. | Roof Opening Sq.* |
|------|---------|--------|---------|---|-------|----------|-------------------|
| 120  | 3-1/4   | 30     | 32-1/4  | 2 | 20    | 73       | 15-1/2            |
| 150  | 2-13/16 | 34-7/8 | 32-5/8  | 2 | 24    | 112      | 19-1/2            |
| 180  | 3-1/4   | 39-1/4 | 42-1/16 | 3 | 30    | 157      | 25-1/2            |

ALL DIMENSIONS IN INCHES. WEIGHTS IN LBS., LESS MOTOR.  
\* ROOF OPENING SIZE FOR CURBS SUPPLIED BY COOK ONLY.



### STANDARD CONSTRUCTION FEATURES:

Solid corrosion resistant molded vinylester resin fiberglass wheel – The housing and other standard components are of corrosion resistant fiberglass from polyester resin with a Class I flame spread rate of 25 or less – One piece curb cap for sealed corners – Neoprene shaft seal – Permanently lubricated ball bearing motors – Suitable for airstream temperatures up to 200°F – Corrosion resistant fasteners outside airstream – Stainless steel fasteners inside airstream – UV (Ultraviolet) inhibitor – Transit tested packaging – Standard motors ship factory installed.

### ACCESSORIES

1. DISCONNECT SWITCH (Shipped loose)
2. FIBERGLASS GRAVITY BACKDRAFT DAMPER
3. RCF FIBERGLASS CURB
4. RCG GALVANIZED CURB
5. RCA ALUMINUM CURB
6. STAINLESS STEEL BIRDSCREEN

| QTY | MARK | CATALOG NUMBER | FAN INFORMATION |    |     | MOTOR INFORMATION |       |    |    |      | ACCESSORIES |  |  |  |  |  |  |
|-----|------|----------------|-----------------|----|-----|-------------------|-------|----|----|------|-------------|--|--|--|--|--|--|
|     |      |                | CFM             | SP | RPM | HP                | VOLTS | HZ | PH | TYPE |             |  |  |  |  |  |  |
|     |      |                |                 |    |     |                   |       |    |    |      |             |  |  |  |  |  |  |

MOTOR TYPE: ODP (OPEN DRIP-PROOF); 2 SP (2 SPEED); X-PRF (EXPLOSION PROOF); TEFC (TOTALLY ENCLOSED FAN COOLED).