



COOK

FCRU-B/FCRU-HP

DATE: _____

PROJECT: _____

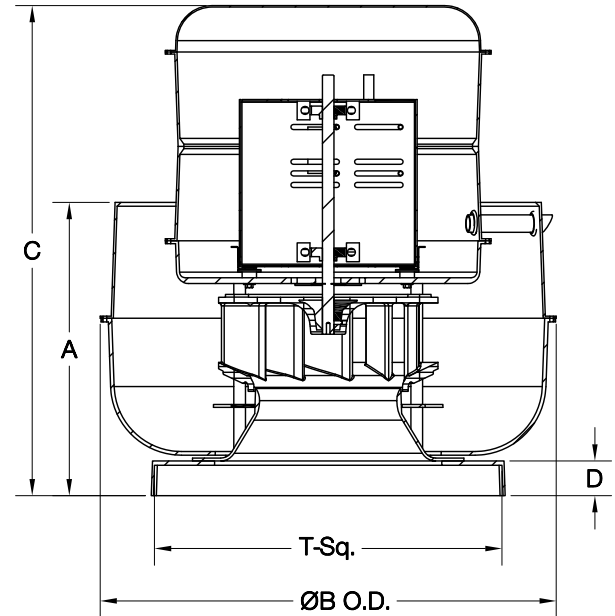
LOCATION: _____

Fiberglass Upblast Centrifugal Exhaust Ventilator Roof Mounted/Belt Drive

DIMENSION DATA

Size	A	B	C	D	T Sq.	Unit Wt.	Roof Opening Sq.*
120	18-3/8	30	32-1/2	2	20	102	15-1/2
150	21-1/4	34-7/8	32-7/8	2	24	146	19-1/2
180	25-5/16	39-3/8	42-5/16	3	30	194	25-1/2
245	31-1/2	50-1/8	46-15/16	3	30	295	25-1/2
300	34-3/4	54-7/8	57	3	36	448	31-1/2
365	38-3/8	65-1/4	61-7/16	3	42	616	37-1/2
402	41-5/8	65-1/4	64-13/16	3	48	717	43-1/2

ALL DIMENSIONS IN INCHES. WEIGHTS IN LBS., LESS MOTOR.
* ROOF OPENING SIZE FOR CURBS SUPPLIED BY COOK ONLY.



STANDARD CONSTRUCTION FEATURES:

Solid corrosion resistant molded vinylester resin fiberglass wheel – The housing and other standard components are of corrosion resistant fiberglass from polyester resin with a Class I flame spread rate of 25 or less – One piece curb cap for sealed corners – Neoprene shaft seal – Permanently lubricated ball bearing motors – Oil, heat, and static resistant belts – Heavy-duty, deep row radial ball or double row spherical roller type self aligning and shielded in cast iron housing bearings – Suitable for airstream temperatures up to 200°F – Adjustable pitch drives through 5 hp motor – Corrosion resistant fasteners outside airstream – Stainless steel fasteners inside airstream – UV (Ultraviolet) inhibitor – All fans factory adjusted to specified fan RPM – Transit tested packaging – Standard motors ship factory installed.

ACCESSORIES

1. DISCONNECT SWITCH (Shipped loose)
2. FIBERGLASS GRAVITY BACKDRAFT DAMPER
3. RCF FIBERGLASS CURB
4. RCG GALVANIZED CURB
5. RCA ALUMINUM CURB
6. STAINLESS STEEL BIRDSCREEN

QTY	MARK	CATALOG NUMBER	FAN INFORMATION			MOTOR INFORMATION					ACCESSORIES						
			CFM	SP	RPM	HP	VOLTS	HZ	PH	TYPE							

MOTOR TYPE: ODP (OPEN DRIP-PROOF); 2 SP (2 SPEED); X-PRF (EXPLOSION PROOF); TEFC (TOTALLY ENCLOSED FAN COOLED).