



COOK

FCE-B/FCE-HP

DATE: _____

PROJECT: _____

LOCATION: _____

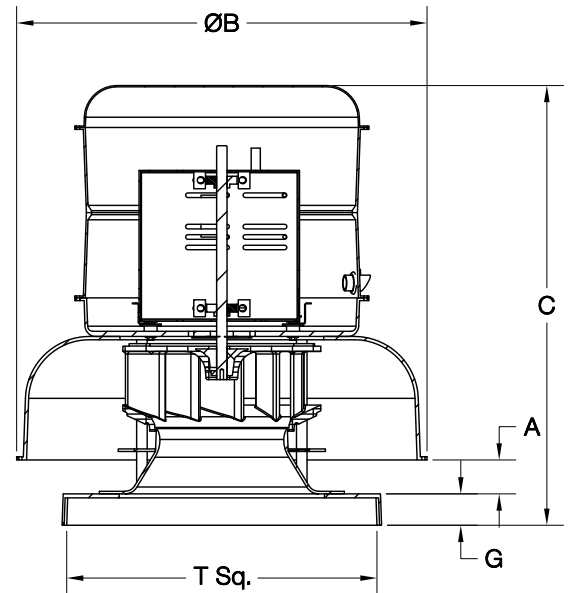


Fiberglass Downblast Centrifugal Exhaust Ventilator Roof Mounted/Belt Drive

DIMENSION DATA

Size	A	B	C	G	T Sq.	Unit Wt.	Roof Opening Sq.*
120	3-1/4	30	32-1/4	2	20	95	15-1/2
150	3-1/4	35	33	2	24	133	19-1/2
180	3-1/4	39-1/4	42	3	30	178	25-1/2
245	6-3/4	50-1/4	46-3/4	3	30	261	25-1/2
300	9-1/4	55	56-3/4	3	36	410	31-1/2
365	7-3/4	65-1/4	61-1/4	3	42	583	37-1/2
402	11-1/4	65-1/4	64-1/2	3	48	676	43-1/2

ALL DIMENSIONS IN INCHES. WEIGHTS IN LBS., LESS MOTOR.
* ROOF OPENING SIZE FOR CURBS SUPPLIED BY COOK ONLY.



STANDARD CONSTRUCTION FEATURES:

Solid corrosion resistant molded vinylester resin fiberglass wheel – The housing and other standard components are of corrosion resistant fiberglass from polyester resin with a Class I flame spread rate of 25 or less – One piece curb cap for sealed corners – Neoprene shaft seal – Permanently lubricated ball bearing motors – Oil, heat, and static resistant belts – Heavy-duty, deep row radial ball or double row spherical roller type self aligning and shielded in cast iron housing bearings – Suitable for airstream temperatures up to 200°F – Adjustable pitch drives through 5 hp motor – Corrosion resistant fasteners outside airstream – Stainless steel fasteners inside airstream – UV (Ultraviolet) inhibitor – All fans factory adjusted to specified fan RPM – Transit tested packaging – Standard motors ship factory installed.

ACCESSORIES

1. DISCONNECT SWITCH (Shipped loose)
2. FIBERGLASS GRAVITY BACKDRAFT DAMPER
3. RCF FIBERGLASS CURB
4. RCG GALVANIZED CURB
5. RCA ALUMINUM CURB
6. STAINLESS STEEL BIRDSCREEN

QTY	MARK	CATALOG NUMBER	FAN INFORMATION			MOTOR INFORMATION					ACCESSORIES							
			CFM	SP	RPM	HP	VOLTS	HZ	PH	TYPE								

MOTOR TYPE: ODP (OPEN DRIP-PROOF); 2 SP (2 SPEED); X-PRF (EXPLOSION PROOF); TEFC (TOTALLY ENCLOSED FAN COOLED).