



COOK

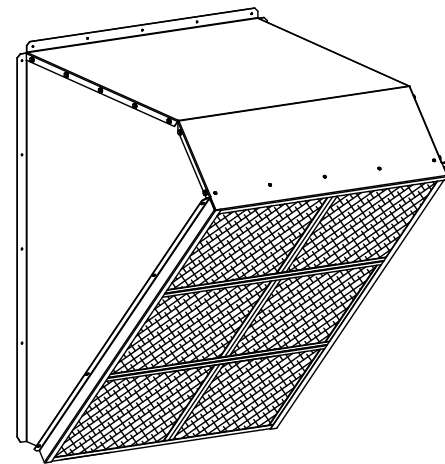
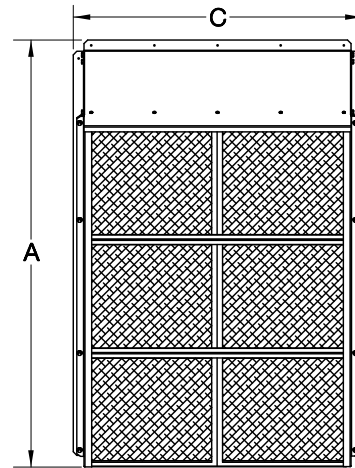
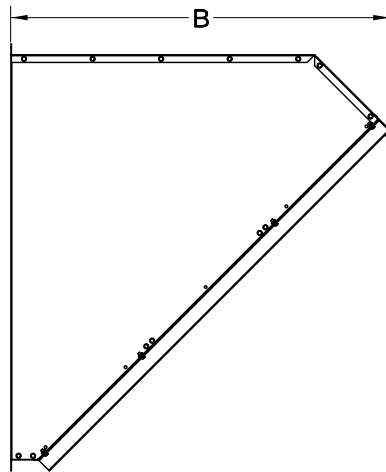
INTAKE HOOD

DATE: _____

PROJECT: _____

LOCATION: _____

**Galvanized Steel
ERV Intake Hood**



STANDARD CONSTRUCTION FEATURES:

Minimum 18 ga galv steel panels – 2” thick
washable, removable aluminum filters

DIMENSION DATA

Qty	Mark	Unit Size	Dim A	Dim B	Dim C	Filter Size	Filter Qty	Ship Wt.
		1500	24-13/16	24-1/4	23	26-1/2 x 19-5/8	1	60
		2500	33-3/16	30-7/16	23	17-1/2 x 19-5/8	2	90
		3500	41-3/16	36-7/16	30	21-5/8 x 26-5/8	2	120
		4500	43-3/16	41-7/16	33	25-1/4 x 29-5/8	2	135
		5500	53-3/16	47-7/16	33	29-1/2 x 29-5/8	2	180
		7000	59-3/16	52-7/16	40	21-7/8 x 18-3/8	6	240
		8500	62-3/16	58-15/16	40	25 x 18-3/8	6	270
		10000	63-3/16	59-15/16	44-1/2	25-3/8 x 20-5/8	6	300

ALL DIMENSIONS IN INCHES. WEIGHTS IN LBS.

EX010R00