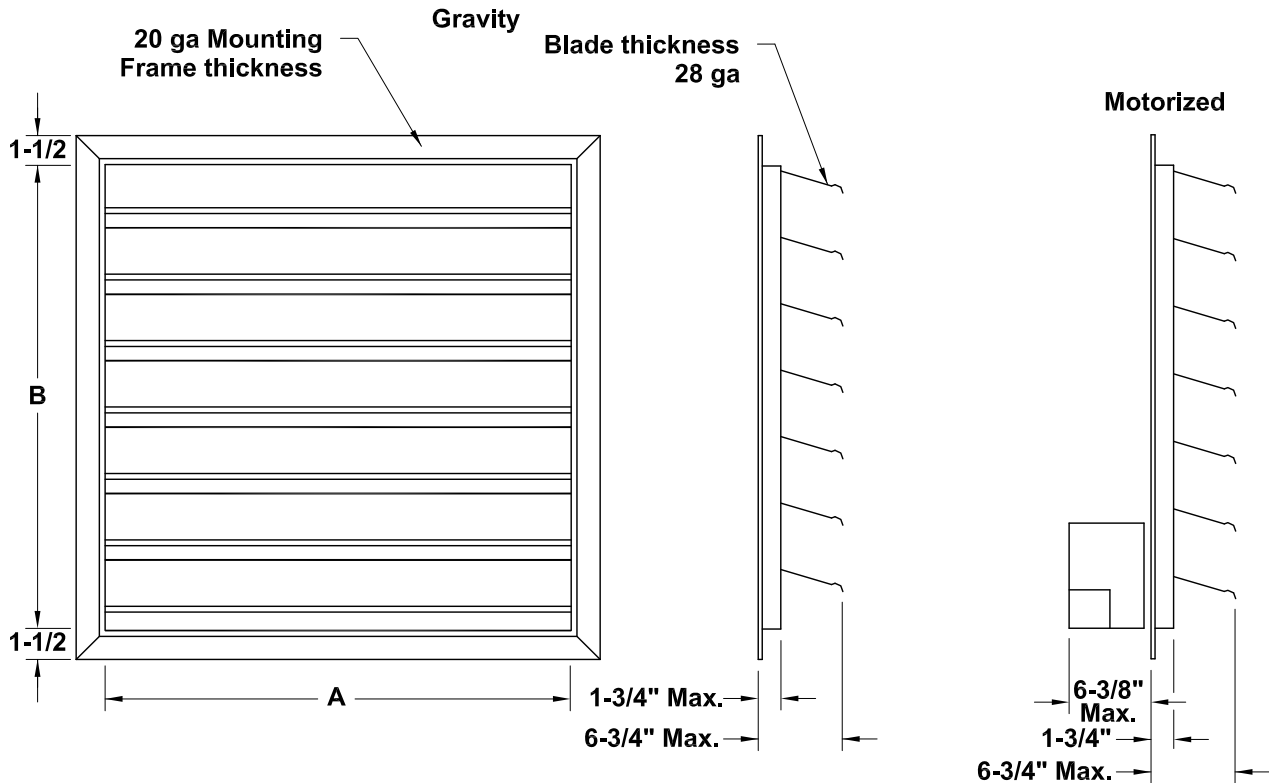


DATE: \_\_\_\_\_  
 PROJECT: \_\_\_\_\_  
 LOCATION: \_\_\_\_\_

## Automatic/Motorized Backdraft Damper ERV Exhaust Air Discharge



### DIMENSION DATA

Qty	Mark	Motorized Model No.	Gravity Model No.	Unit Size	A	B	Unit Weight
		BDM-1500	BD-1500	1500	11-5/16	9-3/4	3
		BDM-2500	BD-2500	2500	12-5/8	10-7/8	4
		BDM-3500	BD-3500	3500-4500	15-1/8	12-15/16	5
		BDM-5500	BD-5500	5500	18-1/8	15-3/8	7
		BDM-7000	BD-7000	7000-8500	21-3/8	18-3/8	10
		BDM-10000	BD-10000	10000	24-1/4	24-1/4	15

ALL DIMENSIONS IN INCHES. WEIGHTS IN LBS., LESS MOTOR.

### NOTES:

- 1) ADD 2 LBS TO SHIPPING WT FOR EACH MOTOR ON MOTORIZED UNITS.