



# COOK

# DUCT BLOWER FILTER

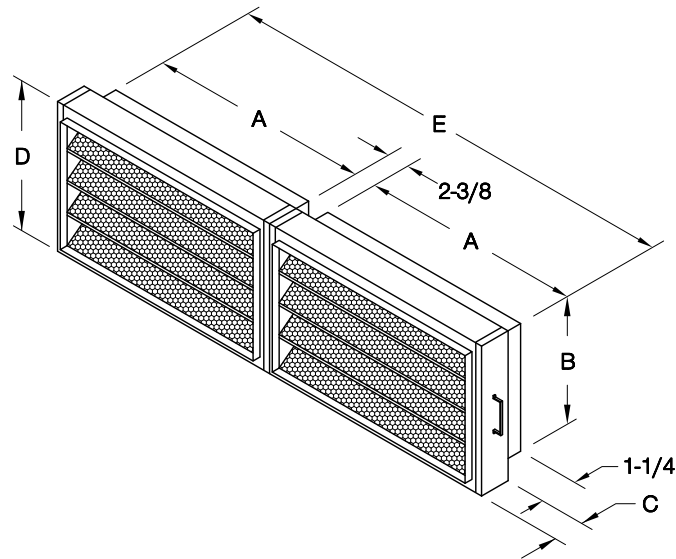
DATE: \_\_\_\_\_

Accessory Data Sheet

PROJECT: \_\_\_\_\_

TDB

LOCATION: \_\_\_\_\_



## DIMENSION DATA

Filter Unit	A	B	C	D	E	Filter Size Sq. In.	Filter Weight
F-9	18-7/8	15-7/8	6	18-1/8	42-5/8	664	34
F-10	20-1/8	17-7/8	6	20-1/8	45-1/8	726	36
F-13	24-7/8	20-15/16	9	23-3/16	54-5/8	1337	70
F-15	30-1/4	24-11/16	11	26-15/16	65-3/8	1999	94
F-18	38-3/4	29-5/8	12	31-7/8	82-3/8	3056	122

ALL DIMENSIONS IN INCHES. WEIGHTS IN LBS.

## STANDARD CONSTRUCTION FEATURES:

Galvanized steel housing – Removable filter drawer – Polyurethane foam washable filter media – Integral duct collars.