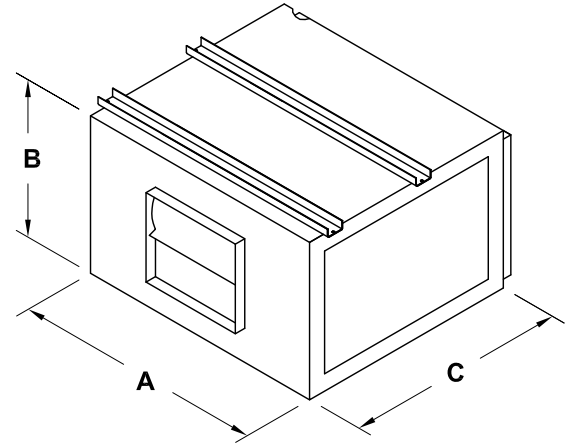
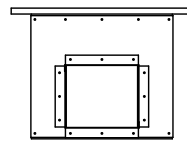
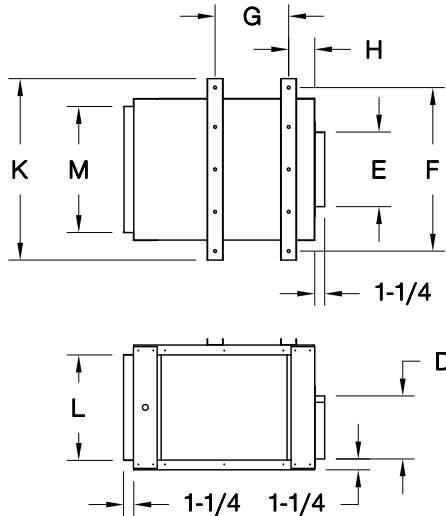


DATE: _____
 PROJECT: _____
 LOCATION: _____



Duct Blower Horizontal Ceiling Mount Internal Belt Drive



DIMENSION DATA

Size	A	B	C	D O.D.	E O.D.	F	G	H	K	L O.D.	M O.D.	Ship Weight
DB-8	18-1/8	15-7/16	23	7-7/8	9-1/4	21	9-5/8	3-5/16	23	13-7/16	16-1/8	53
DB-9	21-1/8	18-1/8	25-3/4	10-5/16	11-7/8	24	11-3/4	3-11/16	26	16-1/8	19-1/8	70
DB-10	22-3/8	20-1/8	28-1/4	11-3/8	13-1/8	26	13-3/8	3-11/16	28	18-1/8	20-3/8	80
DB-13	27-1/8	23-3/16	31-1/4	13-7/16	15-5/8	30	16-1/8	3-11/16	32	21-3/16	25-1/8	108
DB-15	32-1/2	26-15/16	36-1/4	15-7/8	18-5/8	36	19-1/2	3-11/16	38	24-15/16	30-1/2	205
DB-18	41	31-7/8	44-3/4	18-7/8	21-7/8	44	24	3-7/8	46	29-7/8	39	400

ALL DIMENSIONS IN INCHES. WEIGHTS IN LBS.

STANDARD CONSTRUCTION FEATURES:

Galvanized steel housing - Permanently lubricated ball bearing motors - Blower is vibration isolated from the housing - Static resistant belts - Bearings rated at 200,000 hours average life - Adjustable pitch drives through 5 hp motor - Corrosion resistant fasteners - Removable side access panel - Horizontal hanging brackets - All fans factory adjusted to specified fan RPM.

ACCESSORIES

1. SLIDE-OUT FILTER BOX
2. NEMA 1 DISCONNECT SWITCH
3. AUTO BACKDRAFT DAMPER

QTY	MARK	CATALOG NUMBER	FAN INFORMATION			MOTOR INFORMATION					ACCESSORIES							
			CFM	SP	RPM	HP	VOLTS	HZ	PH	TYPE								

LARGEST MOTOR SHIPPED MOUNTED: ODP (OPEN DRIP-PROOF) 2 HP; 2 SP (2 SPEED) 1 HP;
 X-PRF (EXPLOSION PROOF) 1 HP; TEFC (TOTALLY ENCLOSED FAN COOLED) 1 HP.
 U.L. LISTING ONLY AVAILABLE WITH TEFC MOTOR.