



COOK

TCNHBLE

DATE: _____

PROJECT: _____

LOCATION: _____

**Tubular Centrifugal Inline
Upblast
Roof Mounted
Arrangement 9
With 1 X 2 Mixing Box**

STANDARD CONSTRUCTION FEATURES:

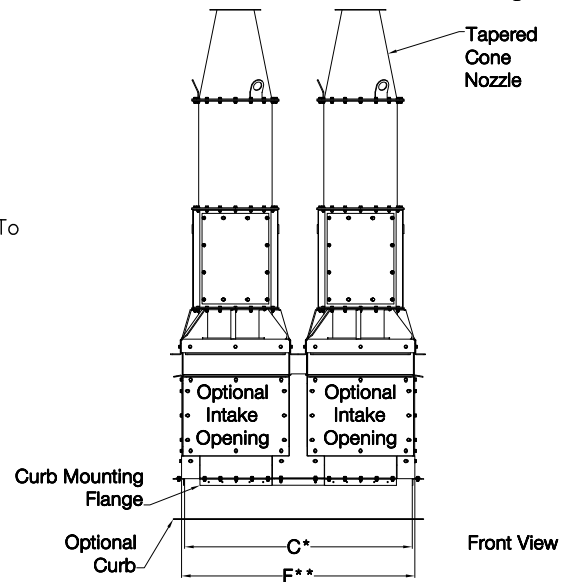
FAN: Lifting Lugs – Fan Drain – Access Door (Bolted) – Phenolic Epoxy Powder With UV (Light Gray) – Weather Cover – Stainless Steel Shaft – Shaft Seal – Stainless Steel Hardware – Stainless Steel Lube Lines – L-10-80K Concentric Lock Bearings – AMCA B – 1.5 Service Factor Drives – Designed To Withstand a 125 mph Wind***

INLET PLENUM: (Single) – Inlet Location (Bottom) – By-Pass Damper (Painted) – Controls (Manual) – Access Door (Bolted) – Lifting Lugs – Stainless Steel Hardware – Weather Hood – Stainless Steel Bird Screen – Drain – Designed To Withstand a 125 mph Wind***

OPTIONAL CONSTRUCTION FEATURES:

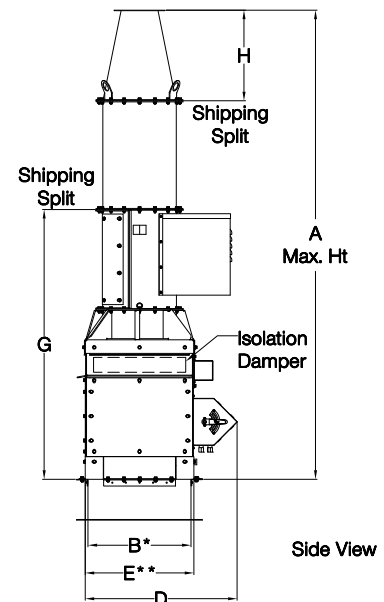
FAN: Disconnect Switch (Pre-wired and Mounted, PW and mntg Explosion Proof) – L-10-200K Bearing Life Upgrade – AMCA A Spark Construction – Alternate Coatings – Isolation Damper (Gravity, Electric, or Pneumatic) – 2.0 Service Factor Drives.

INLET PLENUM: Inlet Location (Side) – By-Pass Damper Controls (Electric, Pneumatic) Heavy Duty Lab Exhaust Curb



DIMENSION DATA

Size	A	B X C	D	E X F	G	H	Ship Wt.
100	120	23 1/16 X 50 5/16	34	23 1/2 X 51	60	20	1261
120	120	27 1/16 X 58 5/16	38	27 1/2 X 59	62	22	1506
135	120	29 X 62 5/16	40	29 1/2 X 63	63	26	1714
150	120	31 X 66 5/16	42	31 1/2 X 67	67	29	1914
165	120	33 X 70 5/16	46	33 1/2 X 71	70	30	2109
180	120	36 7/8 X 78 3/16	50	37 1/2 X 79	73	35	2346
195	120	40 7/8 X 86 3/16	54	41 1/2 X 87	76	39	2714
210	124	42 7/8 X 90 3/16	56	43 1/2 X 91	76	42	2850
225	121-1/2	46 7/8 X 98 3/16	60	47 1/2 X 99	78	44	3428
245	135	48 7/8 X 102 3/16	63	49 1/2 X 103	85	50	3678
270	146-3/4	52 7/8 X 110 3/16	67	53 1/2 X 111	91	56	4055
300	153	58 7/8 X 122 3/16	74	59 1/2 X 123	93	60	4717
330	164-1/4	60 3/4 X 126 1/16	77	61 1/2 X 127	100	64	5275
365	170	63 3/4 X 132 1/16	82	64 1/2 X 133	105	65	5859
402	184-3/4	70 3/4 X 146 1/16	90	71 1/2 X 147	113	72	6921
445	206	75 3/4 X 156 1/16	98	76 1/2 X 157	126	80	8298
490	225-1/2	82 3/4 X 170 1/16	108	83 1/2 X 171	139	87	9633



ALL DIMENSIONS IN INCHES. WEIGHTS IN LBS.
*“B” X “C” IS RECOMMENDED CURB OUTSIDE DIMENSION
**“E” X “F” IS MIXING BOX INSIDE DIMENSION

NOT INTENDED TO BE SUPPORTED BY TRADITIONAL SHEET METAL ROOF CURB, BUT BY INTEGRAL MEMBERS OF ROOF STRUCTURE.
*** ACTUAL WINDLOAD DEPENDANT ON ATTACHMENT TO ROOF STRUCTURE.