

DATE: _____
 PROJECT: _____
 LOCATION: _____



**Centri-Vane Stretch
 All Aluminum Inline
 Centrifugal Blower
 Belt Drive**

DIMENSION DATA

Size	A	B	C	D	E	F	G	H	J	L	M	N	O	Wheel Dia.	Max Mtr Frame	Ship Wt. less Mtr.
12	32-7/8	21-7/16	20-1/4	10-3/4	10-23/32	6-3/4	13-1/4	3-5/8	9/16	1	14-5/8	12	9	15-9/16	182T	95
14	36	24-3/16	23	12-1/8	12-1/8	8-1/4	14-3/8	4-1/8	9/16	1	16-5/8	14	9	18-1/4	184T	114
16	39-9/16	27-9/16	26-1/8	13-13/16	13-13/16	10	14-1/2	4-1/8	9/16	1	18-5/8	16	9	20-15/16	184T	130
18	43-5/8	30-7/16	29	15-1/4	15-1/4	11-1/2	15-5/8	3-7/8	9/16	1	20-5/8	18	10-1/2	23-9/16	213T	245
20	46-5/8	33-3/16	31-3/4	16-5/8	16-3/8	13	16-3/4	3-7/8	9/16	1	22-5/8	20	10-1/2	26-1/4	213T	285
24	53-3/4	40	37-3/4	19-1/2	20	17	19	4-1/4	11/16	1-3/16	27-1/8	24	10-1/2	31-9/16	215T	390
28	60-3/4	46	43-1/2	22-1/2	23	20	21	4-1/8	11/16	1-11/16	31-1/8	28	13	36-7/8	254T	533
32	67-7/8	51	49-3/8	25-1/2	25-1/2	23	23-1/2	4-3/8	11/16	1-11/16	35-1/8	32	13	42-3/16	256T	693
36	73-1/2	57	54-15/16	28-1/4	28-1/2	26	25-3/4	4-5/8	11/16	1-15/16	39-1/8	36	13	47-1/2	256T	863

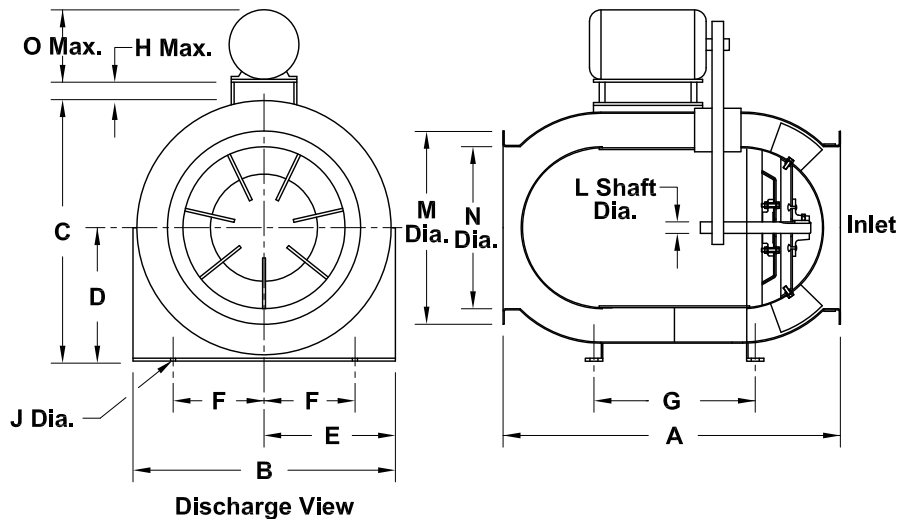
ALL DIMENSIONS IN INCHES. WEIGHTS IN LBS.

STANDARD CONSTRUCTION FEATURES:

All aluminum construction - Fully rotatable housing - All angle operation - Straightening vanes - Regreasable bearings in a cast housing rated at 200,000 hours average life - Extended lube lines - Bearings and belts out of the airstream - Static resistant belts - All fans factory adjusted to specified fan RPM - Five year fan warranty.

ACCESSORIES

1. DISCONNECT SWITCH
2. INLET SCREEN
3. OUTLET SCREEN
4. WEATHER COVER
5. VIBRATION PADS
6. VOLUME CONTROL DAMPER
7. FLEXIBLE DUCT CONNECTOR
8. INLET VANE DAMPER
9. COMPANION FLANGE
10. BELT GUARD
11. EISEN-HEISS COATING
12. EPOXY COATING



QTY	MARK	CATALOG NUMBER	FAN INFORMATION			MOTOR INFORMATION					ACCESSORIES					
			CFM	SP	RPM	HP	VOLTS	HZ	PH	TYPE						

LARGEST MOTOR SHIPPED MOUNTED: ODP (OPEN DRIP-PROOF) 2 HP; 2 SP (2 SPEED) 1 HP; X-PRF (EXPLOSION PROOF) 1 HP; TEFC (TOTALLY ENCLOSED FAN COOLED) 1 HP.