



COOK

CIC

DATE: _____

PROJECT: _____

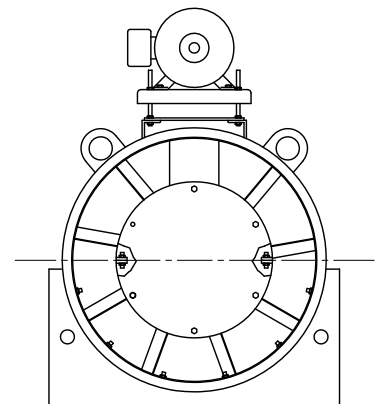
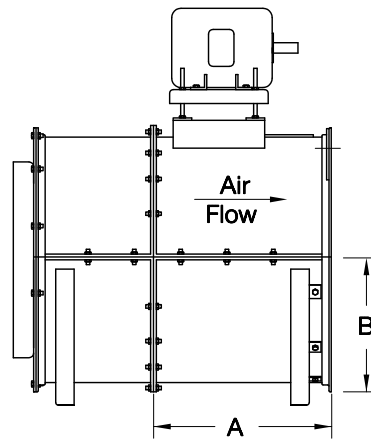
LOCATION: _____



Tubular Centrifugal Inline Horizontal & Vertical Split Housing Sizes 120-730

DIMENSION DATA

Size	A	B
120	17-5/8	10-11/16
135	18-1/4	11-7/8
150	18-1/8	13-1/16
165	18-1/8	14-1/4
180	25-1/2	15-13/16
195	25-1/2	17
210	29	18-7/32
225	29	19-13/32
245	29-3/8	21
270	32-1/2	22-3/4
300	33	24-7/8
330	34	26-15/16
365	35-1/2	29-31/32
402	37-1/2	32-21/32
445	40-11/16	35-11/16
490	43-1/2	39-11/16
540	44-1/4	43-3/16
600	50-7/16	47-7/16
660	52-9/16	51-25/32
730	53-13/16	56-25/32



DISCHARGE VIEW

ALL DIMENSIONS IN INCHES.
 MOTOR POSITION "A" SHOWN - HORIZONTAL SPLIT LOCATION WILL ALWAYS BE PERPENDICULAR TO MOTOR.
 HORIZONTAL FLOOR MOUNT, ARRANGEMENT 9 SHOWN