

# COOK

# CIC

DATE: \_\_\_\_\_

PROJECT: \_\_\_\_\_

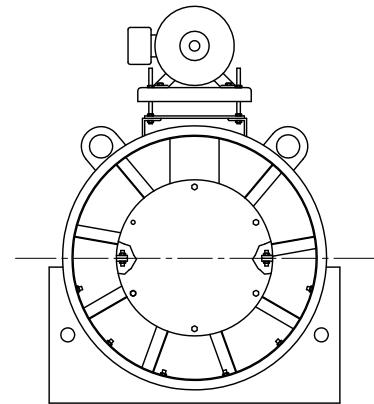
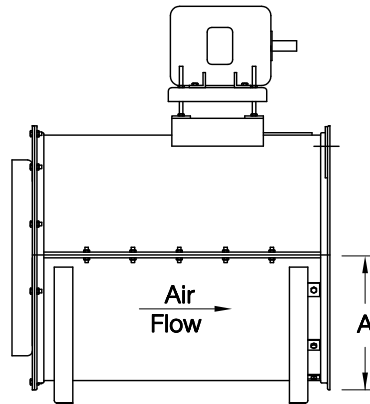
LOCATION: \_\_\_\_\_



## Tubular Centrifugal Inline Horizontal Split Housing Sizes 120-730

### DIMENSION DATA

Size	A
120	10-11/16
135	11-7/8
150	13-1/16
165	14-1/4
180	15-13/16
195	17
210	18-7/32
225	19-13/32
245	21
270	22-3/4
300	24-7/8
330	26-15/16
365	29-31/32
402	32-21/32
445	35-11/16
490	39-11/16
540	43-3/16
600	47-7/16
660	51-25/32
730	56-25/32



DISCHARGE VIEW

ALL DIMENSIONS IN INCHES.  
 MOTOR POSITION "A" SHOWN – SPLIT LOCATION WILL ALWAYS BE PERPENDICULAR TO MOTOR.  
 HORIZONTAL FLOOR MOUNT, ARRANGEMENT 9 SHOWN