



COOK

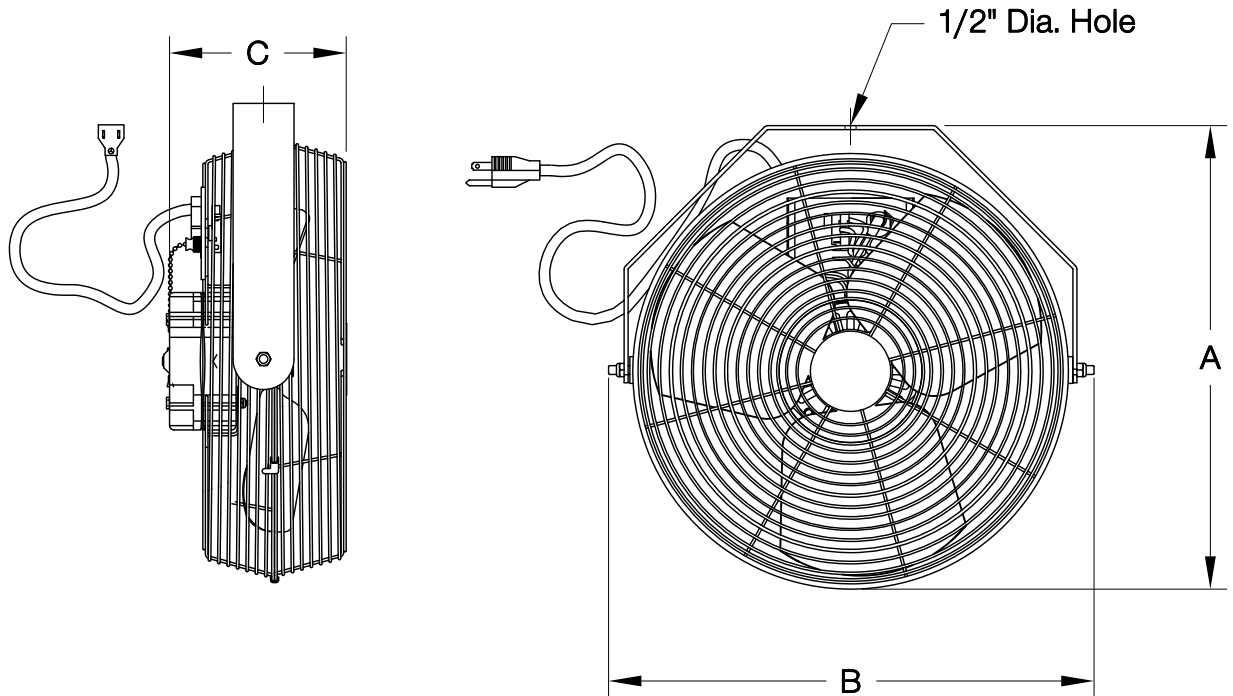
CAC-UTE

DATE: _____

PROJECT: _____

LOCATION: _____

**Air Circulator
Commercial Duty
Mounted Workstation**



DIMENSION DATA

Size	A	B	C	Ship Wt.
18	21-1/2	20-1/2	10-1/2	20

ALL DIMENSIONS IN INCHES. WEIGHTS IN LBS.

STANDARD CONSTRUCTION FEATURES:

Aluminum paddle with steel hub/spider propeller - 360° rotating head horizontally and vertically - OSHA compliant double locking, coated steel wire guard - Three-speed, totally enclosed permanently lubricated ball bearing motor w/pull cord style operating switch - Factory pre-wired 10 foot cord

QTY	MARK	CATALOG NUMBER