



COOK

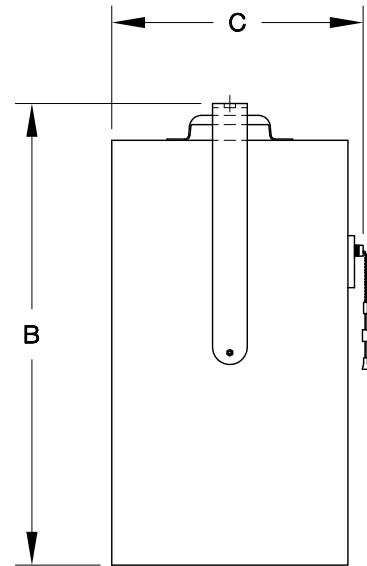
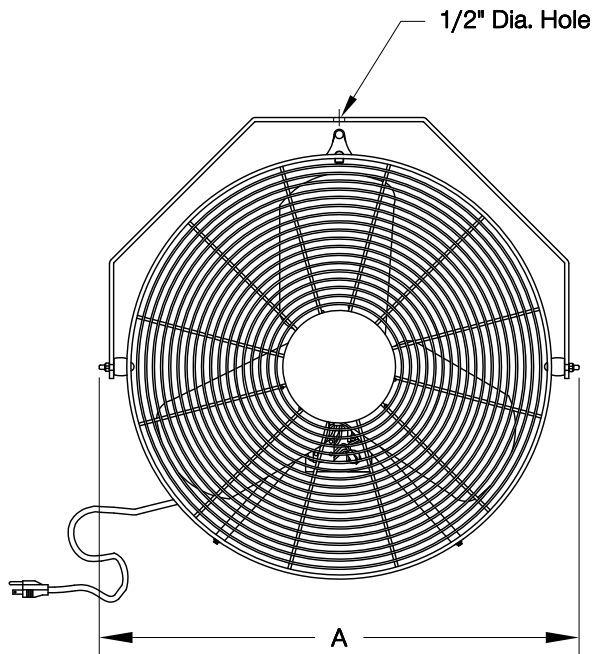
CAC-MBDY

DATE: _____

PROJECT: _____

LOCATION: _____

Air Circulator
Mini-Blower
Direct Drive

**DIMENSION DATA**

Size	A	B	C	Ship Wt.
24	28-1/2	29	14-1/4	52
36	37-1/2	38	14-1/2	58

ALL DIMENSIONS IN INCHES. WEIGHTS IN LBS.

STANDARD CONSTRUCTION FEATURES:

Stamped aluminum 3 blade propeller – Corrosion and dent proof high density polyethylene housing – OSHA compliant spiral front and rear guards – Totally enclosed two speed motor – Factory pre-wired switch and 10 foot cord.

QTY	MARK	CATALOG NUMBER