

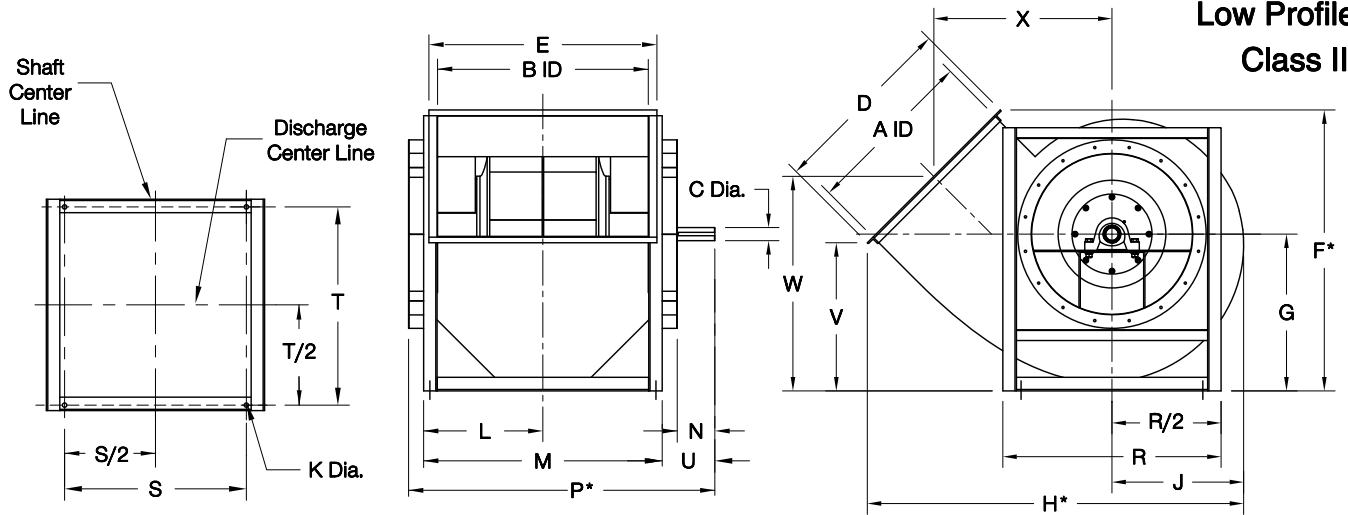
# COOK

# CAF DW

DATE: \_\_\_\_\_  
 PROJECT: \_\_\_\_\_  
 LOCATION: \_\_\_\_\_



Centrifugal Airfoil Blower  
 Clockwise Bottom Angular Up  
 Arrangement 3  
 Low Profile  
 Class III



**DIMENSION DATA**

Size	A	B	C	D	E	F	G	H	J	K	L
120	12-1/8	17-11/16	1-11/16	14-3/8	19-13/16	23-13/16	12-1/8	30-13/16	9-13/16	15/16	11-15/16
135	13-5/8	19-15/16	1-15/16	15-7/8	22-1/16	25-7/8	13-1/2	33-15/16	11-1/16	15/16	13-1/16
150	15-1/4	22	1-15/16	17-1/2	24-1/8	28-1/16	14-7/8	37-1/16	12-5/16	15/16	14-1/16
165	16-15/16	24	2-3/16	19-3/16	26-1/8	30-1/2	16-1/4	40-3/8	13-1/2	15/16	15-1/16
180	18-1/2	26-1/16	2-3/16	20-3/4	28-3/16	33-1/16	17-5/8	43-15/16	14-3/4	15/16	16-1/8
195	19-1/2	28-7/16	2-3/16	23-3/4	32-9/16	35-7/16	19	47-3/4	15-15/16	15/16	17-5/16
210	21-5/8	30-3/8	2-3/16	25-3/4	34-1/2	38-5/16	20-3/8	51-1/4	17-3/16	15/16	18-1/4
225	23-3/16	32-1/2	2-3/16	27-7/16	36-11/16	40-9/16	21-3/4	54-7/16	18-7/16	15/16	19-5/16
245	25-1/2	35-1/16	2-7/16	29-3/4	39-1/4	43-7/8	23-9/16	58-7/8	20-1/16	1-1/16	21-5/8
270	27-1/2	39-7/16	2-7/16	31-3/4	43-5/8	46-15/16	25-7/8	64	22-1/16	1-1/16	23-13/16
300	31-3/16	43	2-7/16	35-7/16	47-3/16	51-5/8	28-3/8	70-9/16	24-1/2	1-1/16	25-9/16
330	34-1/2	47-1/16	2-7/16	38-7/8	51-5/16	56-7/16	31-3/8	77	26-15/16	1-1/16	28-5/8
365	38-11/16	52-3/16	2-15/16	44-1/16	57-7/16	63-5/16	34-5/8	85-11/16	29-7/8	1-1/16	31-3/16
402	41-3/4	57-13/16	3-7/16	47-1/8	63-1/16	67-13/16	38-1/16	93-3/16	32-15/16	1-1/16	35
445	45-15/16	64-1/4	3-7/16	51-5/16	69-9/16	73-7/8	42	102-5/16	36-3/8	1-1/16	38-1/4
490	51	70-1/8	3-15/16	56-3/8	75-7/16	82-1/16	46-1/8	113-3/16	40-1/8	1-1/16	43-3/16
540	55-3/4	77-15/16	4-7/16	61-1/4	83-3/8	89-5/16	50-3/4	122	44-3/16	1-3/16	47-1/8
600	62-3/16	86-1/4	4-15/16	67-3/4	91-11/16	99-1/16	56-1/4	134-7/8	49-1/16	1-3/16	51-5/16

\*F, H, and P dimensions are overall dimensions.

Size	M	N	P	R	S	T	U	V	W	X	Approx. Wt
120	23-13/16	6-1/2	31-7/16	19-1/16	14-1/2	20-1/16	7-9/16	13-5/8	18-11/16	15-7/8	259
135	26-1/16	6-1/2	33-11/16	20-13/16	16-1/4	22-5/16	7-9/16	14-11/16	20-1/4	17-1/4	298
150	28-1/8	6-1/2	35-3/4	22-5/16	17-3/4	24-3/8	7-9/16	15-11/16	21-7/8	18-9/16	327
165	30-1/8	6-1/2	38-5/16	24-1/16	19-1/2	26-3/8	8-1/16	16-15/16	23-11/16	20-1/16	395
180	32-3/16	6-1/2	40-3/8	25-9/16	21	28-7/16	8-1/16	18-3/8	25-3/4	21-7/8	416
195	34-9/16	6-1/2	42-3/4	27-5/16	22-1/4	31-5/16	8-1/16	18-11/16	27-1/16	23-3/8	517
210	36-1/2	7	45-3/16	28-13/16	23-3/4	33-1/4	8-9/16	20-1/16	29-3/16	24-15/16	569
225	38-5/8	7	47-5/16	30-9/16	25-1/2	35-3/8	8-9/16	21-3/16	30-7/8	26-5/16	637
245	43-3/16	7	50-13/16	32-15/16	27-1/8	38-9/16	7-9/16	22-13/16	33-5/16	28-5/16	790
270	47-9/16	7-1/8	55-5/16	35-11/16	29-7/8	42-15/16	7-11/16	24-7/16	35-11/16	30-11/16	915
300	51-1/8	7-1/8	58-7/8	38-11/16	32-7/8	46-1/2	7-3/4	26-9/16	39-1/16	33-1/2	1111
330	57-1/4	7-1/8	64	42-1/4	35-1/4	51-3/4	6-3/4	29	42-3/4	36-1/4	1420
365	62-3/8	7-5/8	70-1/8	46	39	56-7/8	7-3/4	32-3/16	47-3/4	40-5/16	1790
402	70	10-1/8	80-3/4	50-9/16	42	63-1/2	10-3/4	34-9/16	51-3/16	43-11/16	2414
445	76-1/2	10-1/8	87-1/4	54-13/16	46-1/4	70	10-3/4	37-5/8	55-3/4	47-13/16	2990
490	86-3/8	13-1/2	98-1/2	60	50	76-7/8	12-1/8	42-3/16	62-1/8	53-3/16	3626
540	94-5/16	15-3/4	110-11/16	65	55	84-13/16	16-3/8	44	65-5/8	56-3/16	4921
600	102-5/8	15-7/8	118-5/8	71	61	93-1/8	16	48-1/2	72-7/16	61-7/8	5916

ALL DIMENSIONS IN INCHES. ALL WEIGHTS IN POUNDS, LESS MOTOR AND DRIVES.