



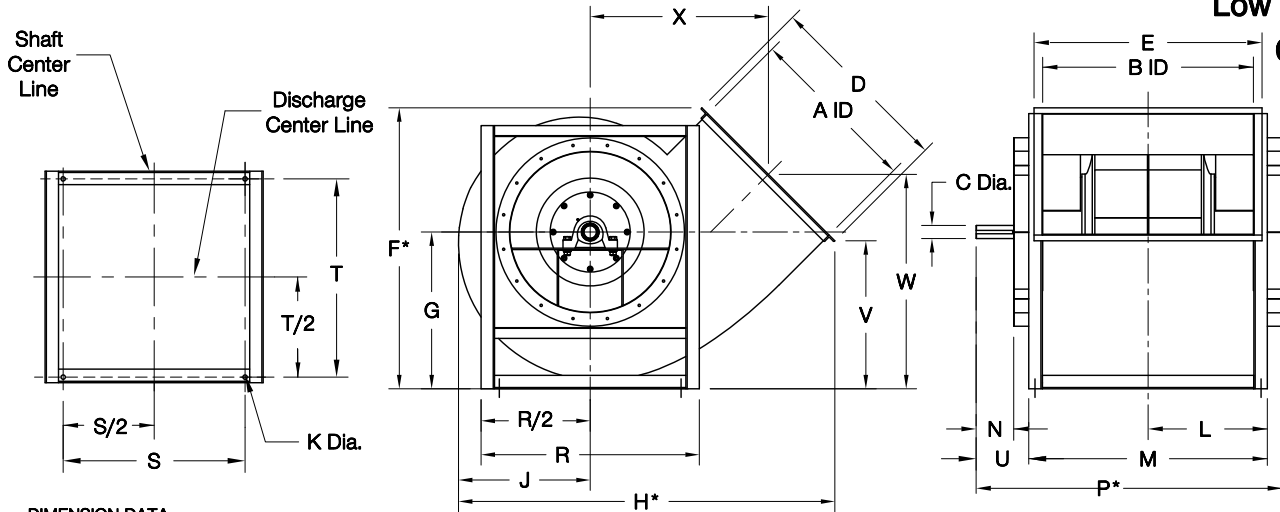
COOK

CAF DW

DATE: _____

PROJECT: _____

LOCATION: _____

**Centrifugal Airfoil Blower****Counterclockwise Bottom Angular Up****Arrangement 3****Low Profile****Class I****DIMENSION DATA**

Size	A	B	C	D	E	F	G	H	J	K	L
120	12-1/8	17-11/16	1-7/16	14-3/8	19-13/16	23-13/16	12-1/8	30-13/16	9-13/16	9/16	10-7/16
135	13-5/8	19-15/16	1-7/16	15-7/8	22-1/16	25-7/8	13-1/2	33-15/16	11-1/16	9/16	11-9/16
150	15-1/4	22	1-7/16	17-1/2	24-1/8	28-1/16	14-7/8	37-1/16	12-5/16	9/16	13-1/16
165	16-15/16	24	1-11/16	19-3/16	26-1/8	30-1/2	16-1/4	40-3/8	13-1/2	15/16	14-1/16
180	18-1/2	26-1/16	1-11/16	20-3/4	28-3/16	33-1/16	17-5/8	43-15/16	14-3/4	15/16	15-1/8
195	19-1/2	28-7/16	1-11/16	21-11/16	30-5/8	34-3/4	19	47	15-15/16	15/16	16-5/16
210	21-5/8	30-3/8	1-11/16	23-13/16	32-9/16	37-5/8	20-3/8	50-1/2	17-3/16	15/16	17-1/4
225	23-3/16	32-1/2	1-15/16	26-3/8	35-11/16	40-3/16	21-3/4	54-1/16	18-3/8	15/16	18-5/16
245	25-1/2	35-1/16	1-15/16	28-11/16	38-1/4	43-1/2	23-9/16	58-1/2	20	15/16	19-5/8
270	27-1/2	39-7/16	2-3/16	30-11/16	42-5/8	46-9/16	25-7/8	63-5/8	22-1/16	15/16	22-5/16
300	31-3/16	43	2-3/16	34-3/8	46-3/16	51-1/2	28-5/8	70-3/16	24-1/2	15/16	24-1/16
330	34-1/2	47-1/16	2-7/16	38-3/4	51-5/16	56-7/16	31-3/8	76-15/16	27	15/16	26-5/8
365	38-11/16	52-3/16	2-11/16	42-15/16	56-7/16	62-15/16	34-5/8	85-5/16	29-13/16	15/16	29-3/16
402	41-3/4	57-13/16	2-15/16	46-1/16	62	67-1/2	38-1/16	92-13/16	32-13/16	15/16	33
445	45-15/16	64-1/4	2-15/16	50-5/16	68-9/16	73-3/4	42	101-1/2	36-3/8	1-1/16	36-1/4
490	51	70-1/8	3-7/16	55-3/8	74-7/16	81-1/16	46-1/8	112-1/16	40-1/16	1-1/16	39-3/16
540	55-3/4	77-15/16	2-15/16	60-1/8	82-3/16	89-1/4	50-3/4	121-9/16	44-1/8	1-1/16	43-1/16
600	62-3/16	86-1/4	2-15/16	66-9/16	90-9/16	99-1/16	56-1/4	134-7/16	49-1/16	1-1/16	48-1/4
660	68-7/16	94-7/8	3-7/16	72-13/16	99-1/4	108-7/8	61-13/16	146-9/16	53-15/16	1-1/16	53-9/16
730	75-13/16	104-3/4	3-7/16	81-3/16	110-1/8	120-5/16	68-1/4	161-5/16	59-5/8	1-1/16	58-1/2

*F, H, and P dimensions are overall dimensions.

Size	M	N	P	R	S	T	U	V	W	X	Approx. Wt
120	20-13/16	2-3/4	26-11/16	19-1/4	14-7/8	19-7/16	4-5/16	13-5/8	18-11/16	15-7/8	201
135	23-1/16	2-3/4	28-15/16	21	16-5/8	21-11/16	4-5/16	14-11/16	20-1/4	17-1/4	224
150	26-1/8	3-3/8	31-5/8	22-1/2	17-3/4	24-3/8	4-7/16	15-11/16	21-7/8	18-9/16	260
165	28-1/8	3-3/8	33-11/16	24-1/4	19-1/2	26-3/8	4-7/16	16-15/16	23-11/16	20-1/16	316
180	30-3/16	3-3/4	36-1/8	26-3/4	21	28-7/16	4-13/16	18-3/8	25-3/4	21-7/8	350
195	32-9/16	3-3/4	38-1/2	28-1/2	22-3/4	30-13/16	4-13/16	19-3/8	27-1/16	23-3/8	391
210	34-1/2	3-3/4	41-7/16	30	24-1/4	32-3/4	5-13/16	20-3/4	29-3/16	24-7/8	427
225	36-5/8	4-1/4	44-1/16	31-3/4	26	34-7/8	6-5/16	21-9/16	30-7/8	26-3/8	531
245	39-3/16	4-1/4	46-5/8	33-3/4	28	37-7/16	6-5/16	23-3/16	33-5/16	28-3/8	597
270	44-9/16	4-1/4	51-1/2	37-1/2	30-1/4	42-5/16	6-5/16	24-13/16	35-11/16	30-11/16	748
300	48-1/8	4-1/4	55-1/8	40-1/2	33-1/4	45-7/8	6-3/8	27-3/16	39-5/16	33-1/2	867
330	53-3/16	4-3/8	59-5/16	41-9/16	36-1/8	50-9/16	6	29	42-11/16	36-1/4	1039
365	58-5/16	4-3/4	65-5/16	45-5/16	39-7/8	55-11/16	6-7/8	32-9/16	47-3/4	40-5/16	1237
402	65-15/16	4-7/8	71-15/16	49-11/16	43	62-7/16	6	34-15/16	51-3/16	43-5/8	1552
445	72-7/16	5-3/4	79-5/16	53-15/16	47-1/4	68-15/16	6-7/8	37-9/16	55-5/16	47-5/16	1980
490	78-5/16	5-7/8	85-5/16	58-11/16	52	74-13/16	7	41-13/16	61-7/16	52-7/16	2388
540	86-1/8	6-1/4	93-1/2	63-11/16	57	82-5/8	7-3/8	44-3/8	65-5/8	56-3/16	2587
600	96-1/2	6-1/4	102-7/8	70	62	92	6-3/8	48-7/8	72-3/8	61-7/8	3730
660	107-1/8	9-3/8	117-1/8	76-9/16	67	101-5/8	10	52-5/8	78-3/8	66-7/8	4650
730	117	9-3/8	127	83-9/16	74	111-1/2	10	56-15/16	85-5/8	73	5488

ALL DIMENSIONS IN INCHES. ALL WEIGHTS IN POUNDS, LESS MOTOR AND DRIVES.

CA732R00