

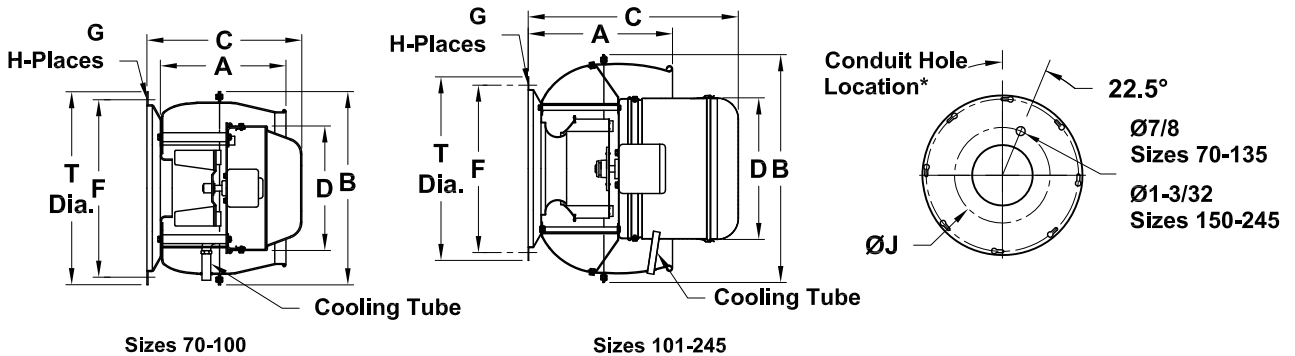


# COOK ACWD/ACWD-HP/ACWD-XP VF

DATE: \_\_\_\_\_  
 PROJECT: \_\_\_\_\_  
 LOCATION: \_\_\_\_\_



**Centrifugal  
 Exhaust Ventilator  
 Hurricane / Missile Impact Resistant  
 Wall Mounted/Direct Drive  
 Vari-Flow® Motor**



**DIMENSION DATA**

Size	A	B	C			D	Wall Opening		F	G	H	J	T Dia.	Unit Wt.
			ACWD	ACWD-HP	ACWD-XP		Square	Round						
70	12-1/8	17-1/8	13	-	-	16-3/4	8	8	14-1/4	3/8	4	9-1/4	15-1/2	14
90	14-7/8	21-1/8	16	-	-	16-3/4	10	10	19-3/4	3/8	4	12-3/8	21-1/4	15
100	14-7/8	21-1/8	16	-	-	16-3/4	10	10	19-3/4	3/8	4	12-3/8	21-1/4	20
101	13-7/16	25-3/16	21-3/8	-	-	16-3/4	10	10	19-3/4	3/8	4	12-3/8	21-1/4	25
120	18-7/16	30-3/16	28-1/4	-	-	20-3/8	12	12	23-1/2	3/8	4	16	25	31
135	18-7/16	30-3/16	28-3/4	-	-	20-3/8	12	12	23-1/2	3/8	4	16	25	38
150	20-1/16	34-11/16	30-3/8	27-5/8	-	23-13/16	16	16	28-1/2	3/8	8	19-1/2	30	47
165	20-1/16	34-11/16	30-7/8	27-7/8	26-13/16	23-13/16	16	16	28-1/2	3/8	8	19-1/2	30	58
180	22-11/16	39-7/16	35-5/8	33-1/8	31-5/16	26-1/8	20	20	34-1/2	3/8	8	22-1/2	36	56
195	22-11/16	39-7/16	36-1/8	33-1/4	31-7/8	26-1/8	20	20	34-1/2	3/8	8	22-1/2	36	82
210	23-11/16	45-1/4	37-3/4	34-3/4	32-1/8	29-7/8	24	22	39-1/2	3/8	8	26	41	91
225	23-11/16	45-1/4	38-1/4	35-5/8	33-7/16	29-7/8	24	22	39-1/2	3/8	8	26	41	115
245	25-5/16	49-1/4	39-7/8	36-1/8	32-7/8	32-7/8	24	22	43-1/2	3/8	8	26	45	166

ALL DIMENSIONS IN INCHES. WEIGHTS IN LBS., LESS MOTOR.  
 \*VIEWED FROM FAN SIDE.

**STANDARD CONSTRUCTION FEATURES:**

All aluminum housing - Backward inclined all aluminum wheel - Removable top cap - Mounting flange with keyslots and templates - Birdscreen - Permanently lubricated ball bearing motors - Corrosion resistant fasteners - Transit tested packaging.

**MIAMI-DADE COUNTY, FLORIDA**

**Notice of Acceptance (NOA) Number 17-0925.02/11-13-2023**

- TAS-201: Large Missile Impact Test
- TAS-202: Uniform Static Air Pressure Test
- TAS-203: Cyclic Wind Pressure Test

**ACCESSORIES**

1. DISCONNECT SWITCH
2. GRAVITY BACKDRAFT DAMPER
3. INLET GRILL
4. FAN SPEED CONTROL
5. EPOXY COATING
6. EPOXY PHENOLIC COATING
7. LORENIZED COATING
8. ANTI-CONDENSATE COATING
9. LESS BIRD SCREEN
10. GREASE TERMINATOR
11. VFD