

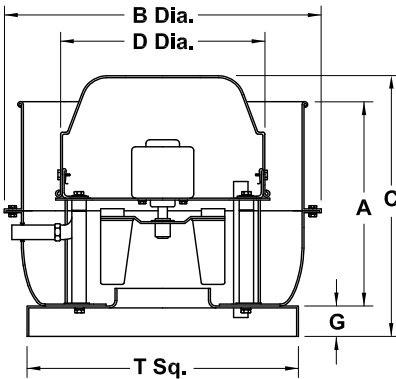


COOK ACRUD/ACRUD-HP/ACRUD-XP VF

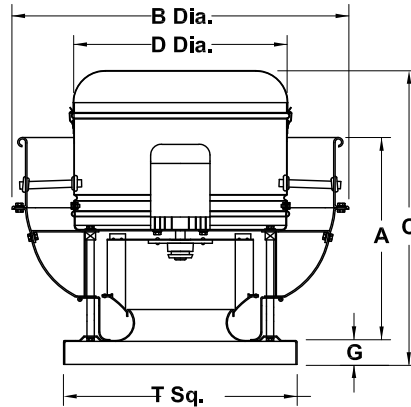
DATE: _____
 PROJECT: _____
 LOCATION: _____



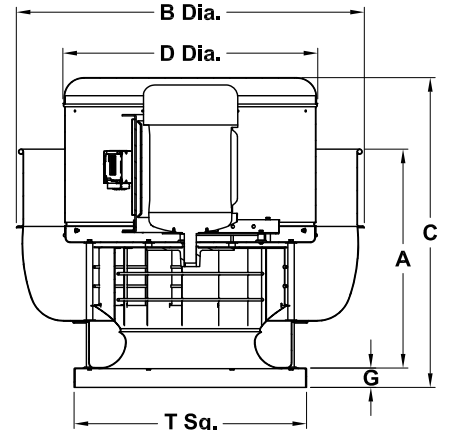
**Upblast Centrifugal
 Exhaust Ventilator
 Roof Mounted/Direct Drive
 Electronically Commutated
 Vari-Flow® Motor**



SIZES 70-100 C-FACE MOTOR MOUNT



SIZES 120-195 C-FACE MOTOR MOUNT



SIZES 150-300 BASE MOUNT

DIMENSION DATA

| Size | A | B | C | | | D | G | T Sq. | Unit Wt. | Roof Opening Sq.* |
|------|----------|----------|----------|----------|----------|----------|---|-------|----------|-------------------|
| | | | ACRUD | ACRUD-HP | ACRUD-XP | | | | | |
| 70 | 11 | 17-1/8 | 13-3/8 | - | - | 16-3/4 | 2 | 18 | 12 | 13-1/2 |
| 90 | 13-1/2 | 21-1/8 | 16-3/8 | - | - | 16-3/4 | 2 | 18 | 13 | 13-1/2 |
| 100 | 13-1/2 | 21-1/8 | 16-3/8 | - | - | 16-3/4 | 2 | 18 | 14 | 13-1/2 |
| 101 | 12-1/2 | 24-1/4 | 20-3/16 | - | - | 16-3/4 | 2 | 18 | 15 | 13-1/2 |
| 120 | 19-1/16 | 30-3/16 | 28-1/8 | - | - | 20-3/8 | 2 | 20 | 20 | 15-1/2 |
| 135 | 19-1/16 | 30-3/16 | 28-5/8 | - | - | 20-3/8 | 2 | 20 | 25 | 15-1/2 |
| 150 | 20-15/16 | 34-11/16 | 30-1/4 | 27-1/2 | - | 23-13/16 | 2 | 24 | 31 | 19-1/2 |
| 165 | 20-15/16 | 34-11/16 | 30-3/4 | 27-3/4 | 26-11/16 | 23-13/16 | 2 | 24 | 38 | 19-1/2 |
| 180 | 24-13/16 | 39-7/16 | 35-7/8 | 33-3/8 | 31-9/16 | 26-1/8 | 3 | 30 | 47 | 25-1/2 |
| 195 | 24-13/16 | 39-7/16 | 36-3/8 | 33-1/2 | 32-1/8 | 26-1/8 | 3 | 30 | 58 | 25-1/2 |
| 210 | 25-15/16 | 45-1/4 | 38-3/8 | 35-3/8 | 32-3/4 | 29-7/8 | 3 | 30 | 76 | 25-1/2 |
| 225 | 25-15/16 | 45-1/4 | 38-1/8 | 35-1/2 | 33-5/16 | 29-7/8 | 3 | 30 | 82 | 25-1/2 |
| 245 | 28-1/2 | 49-1/4 | 41-1/16 | 37-5/16 | 34-1/16 | 32-7/8 | 3 | 30 | 91 | 25-1/2 |
| 270 | 28-1/2 | 49-1/4 | 41-1/16 | 37-5/16 | 35 | 35-7/8 | 3 | 36 | 115 | 31-1/2 |
| 300 | 33-7/8 | 54-1/4 | 49-15/16 | 45-15/16 | 41-7/16 | 39-3/8 | 3 | 36 | 166 | 31-1/2 |

ALL DIMENSIONS IN INCHES. WEIGHTS IN LBS., LESS MOTOR
 * ROOF OPENING SIZE FOR CURBS SUPPLIED BY COOK ONLY.

STANDARD CONSTRUCTION FEATURES:

All aluminum housing - Backward inclined all aluminum wheel -
 Two piece top cap with stainless steel quick release latches
 (Sizes 120-300) - Welded curb cap corners - Birdscreen -
 Preprogrammed electronically commutated Vari-Flow®
 motor/drive package - Corrosion resistant fasteners -
 Transit tested packaging.

ACCESSORIES

- DISCONNECT SWITCH
- GRAVITY BACKDRAFT DAMPER
- MOTORIZED BACKDRAFT DAMPER
- RCG GALVANIZED CURB
- RCA ALUMINUM CURB
- REMOTE FAN SPEED CONTROL
- EPOXY COATING
- ANTI-CONDENSATE COATING
- HINGED BASE
- GREASE TERMINATOR
- LESS BIRDSCREEN

| QTY | MARK | CATALOG NUMBER | FAN INFORMATION | | | MOTOR INFORMATION | | | | | ACCESSORIES | |
|-----|------|----------------|-----------------|----|-----|-------------------|-------|----|----|------|-------------|--|
| | | | CFM | SP | RPM | HP | VOLTS | HZ | PH | TYPE | | |
| | | | | | | | | | | | | |