

DATE: _____
 PROJECT: _____
 LOCATION: _____



**Downblast Centrifugal
 Exhaust Ventilator**

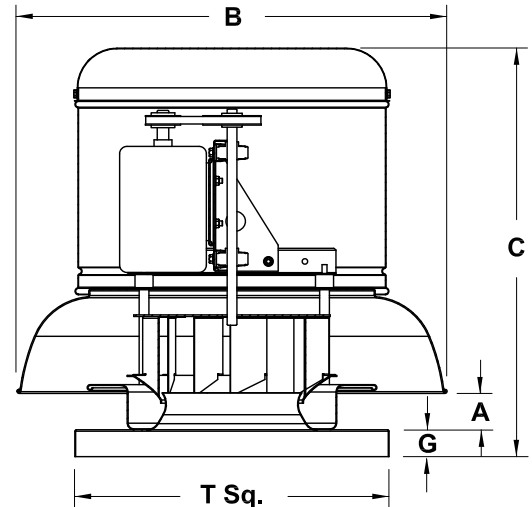
Hurricane / Missile Impact Resistant



Roof Mounted/Belt Drive

DIMENSION DATA

Size	A	B	C	G	T Sq.	Ship Wt.	Roof Opening Sq.*
60	2-7/8	23-9/16	21-1/8	2	18	30	13-1/2
70	2-7/8	23-9/16	21-1/8	2	18	30	13-1/2
80	2-7/8	23-9/16	21-1/8	2	18	30	13-1/2
100	2-7/8	23-9/16	21-1/8	2	18	30	13-1/2
120	1-13/16	28-7/16	26-7/8	2	20	55	15-1/2
135	2-3/16	28-7/16	27-1/4	2	20	60	15-1/2
150	3-1/16	32-7/8	28-7/8	2	24	70	19-1/2
165	3-9/16	32-7/8	29-3/8	2	24	75	19-1/2
180	3-15/16	37-11/16	34-1/2	3	30	90	25-1/2
195	4-7/16	37-11/16	35	3	30	100	25-1/2
210	4-3/4	43-5/8	37-1/4	3	30	200	25-1/2
225	4-7/8	43-5/8	37-3/8	3	30	220	25-1/2
245	6-1/8	47-5/8	39-7/8	3	30	240	25-1/2
270	6-1/8	47-5/8	39-7/8	3	36	260	31-1/2
300	7-1/16	52-5/8	49-1/16	3	36	300	31-1/2



ALL DIMENSIONS IN INCHES. WEIGHTS IN LBS., LESS MOTOR.
 * ROOF OPENING SIZE FOR CURBS SUPPLIED BY COOK ONLY.

MIAMI-DADE COUNTY, FLORIDA

Notice of Acceptance (NOA) Number 18-0614.04/10-2-2023

- TAS-201: Large Missile Impact Test
- TAS-202: Uniform Static Air Pressure Test
- TAS-203: Cyclic Wind Pressure Test

STANDARD CONSTRUCTION FEATURES:

All aluminum housing - Backward inclined all aluminum wheel - Removable top cap - Welded curb cap corners - Birdscreen - Vibration isolators - Lifting lugs - Permanently lubricated ball bearing motors - Static resistant belts - Adjustable pitch drives through 5 hp motor - Corrosion resistant fasteners - Regreasable bearings in cast iron pillow block housing, rated at 200,000 hours average life - All fans factory adjusted to specified fan RPM - Transit tested packaging - Standard motors ship factory installed.

ACCESSORIES

1. DISCONNECT SWITCH
2. GRAVITY BACKDRAFT DAMPER
3. MOTORIZED BACKDRAFT DAMPER
4. RCG GALVANIZED CURB
5. RCA ALUMINUM CURB
6. EPOXY COATING
7. EPOXY PHENOLIC COATING
8. LORENIZED COATING
9. ANTI-CONDENSATE COATING
10. LESS BIRDSCREEN
11. TYPE "A" CONSTRUCTION
12. SPECIAL

QTY	MARK	CATALOG NUMBER	FAN INFORMATION			MOTOR INFORMATION					ACCESSORIES		
			CFM	SP	RPM	HP	VOLTS	HZ	PH	TYPE			

**MOTOR TYPE: ODP (OPEN DRIP-PROOF); 2 SP (2 SPEED);
 X-PRF (EXPLOSION PROOF); TEFC (TOTALLY ENCLOSED FAN COOLED).**

AC008R03